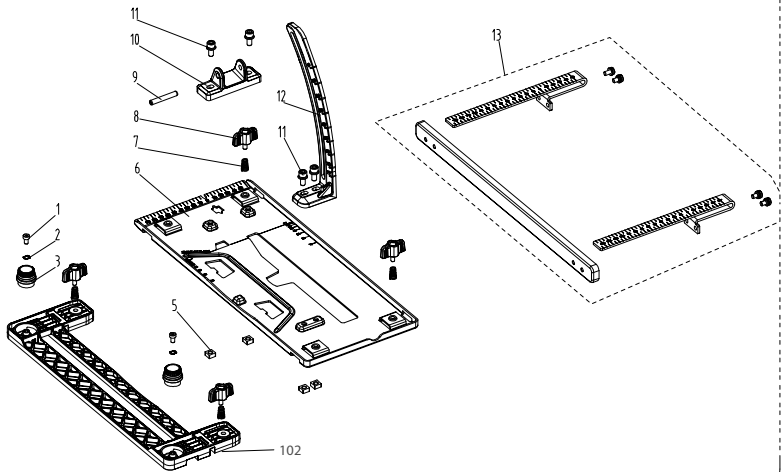
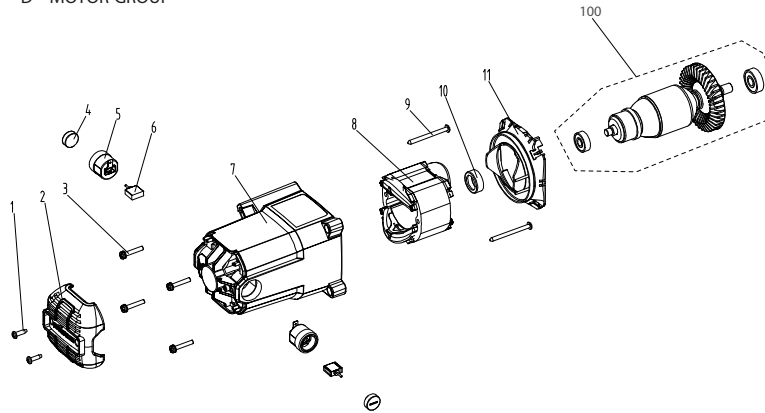


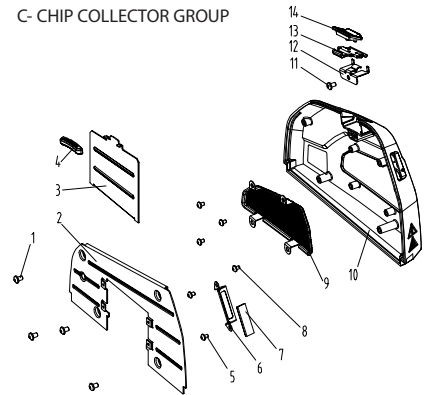
E - BASE GROUP



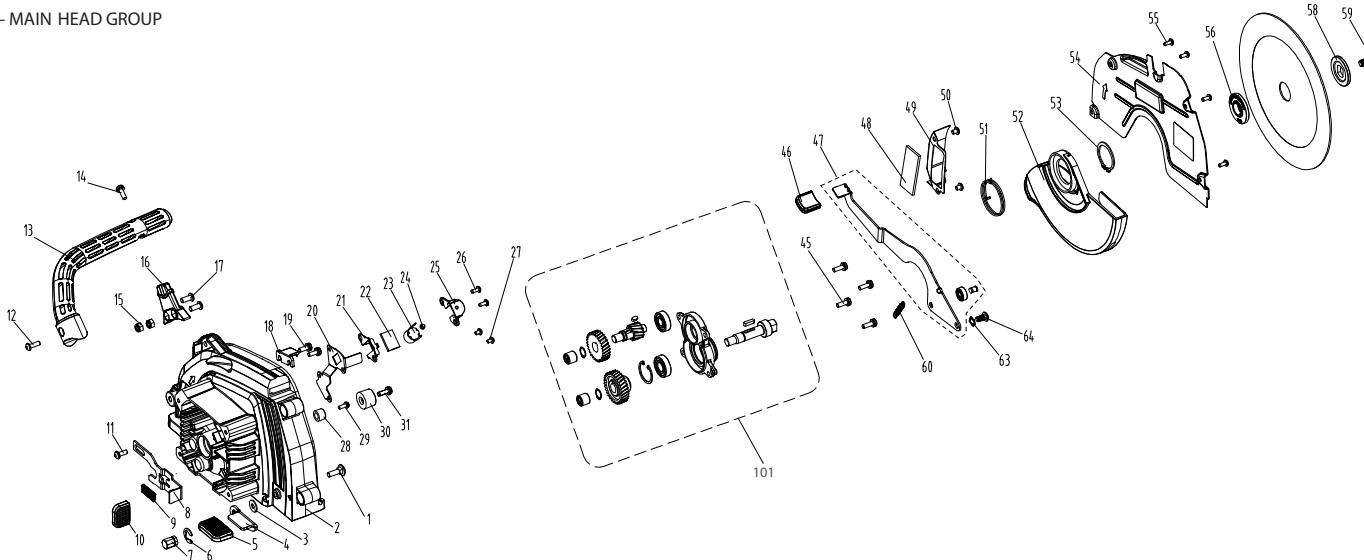
D - MOTOR GROUP



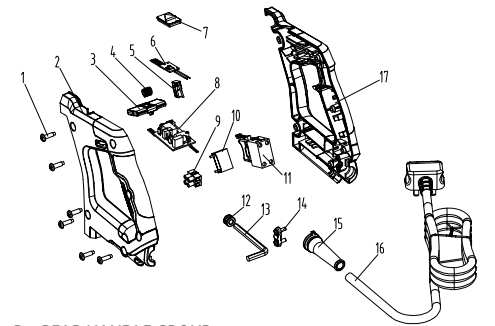
C - CHIP COLLECTOR GROUP



A - MAIN HEAD GROUP



B - REAR HANDLE GROUP



| No. | Description | Part Code | Qty |
|------|---|-----------------------|-----|
| A01 | DEPTH ADJUST LOCK LEVER BOLT | F-CB-M8-30-15-ST-BO | 1 |
| A02 | HEAD CASTING | 058-0114 | 1 |
| A03 | FLAT WASHER16OD 6.4ID T1 | F-W-M16-ST-BZP | 1 |
| A04 | DEPTH ADJUST LOCK LEVEL | 058-0175-1 | 1 |
| A05 | DEPTH ADJUST LOCK LEVER KNOB | 058-0175-2 | 1 |
| A06 | HEAVY DUTY EXTERNAL E CLIP 8MM | F-EEXT-8-1-ST-BO | 1 |
| A07 | DEPTH ADJUST LOCK LEVER NUT | 058-0176 | 1 |
| A08 | ARBOR LOCK SLIDE TAB | 058-0116 | 1 |
| A09 | BLADE LOCK TAB SPRING | 058-0202 | 1 |
| A10 | ARBOR LOCK SLIDE TAB GRIP | 058-0159 | 1 |
| A101 | GEARBOX ASSEMBLY | 058-0212 | 1 |
| A11 | M5 X 14 BUTTON SOCKET | F-SBHS-M5-14-ST-BO | 1 |
| A12 | SOCKET SCREW ST4.8-20MM | F-TFPHT-4.8-20-ST-BO | 1 |
| A13 | FRONT BALE HANDLE | 058-0119-1 | 1 |
| A14 | SOCKET SCREW M5-12MM | F-TFPHT-5-12-ST-BO | 1 |
| A15 | NUT FULL PLAIN STEEL BO M6 | F-NSF-M6-ST-BO | 2 |
| A16 | FRONT BALE HANDLE SUPPORT | 058-0119-3 | 1 |
| A17 | PANHEAD SCREW M5-12MM | F-SBHS-M5-12-ST-BO | 2 |
| A18 | CHIP COMPARTMENT FIXED CATCH | 058-0166 | 1 |
| A19 | SCREW BUTTON SELF-TAPPING TORX STEEL BO M5 6MM | F-SBHS-M5-6-ST-BO | 2 |
| A20 | WIRE CONDUIT COVER | 058-0132 | 1 |
| A21 | LED HOLDER | 058-0133 | 1 |
| A22 | LED GLASS | 058-0192 | 1 |
| A23 | LED | 058-0207 | 1 |
| A24 | LED POSITIONNING PIN | 058-0214 | 1 |
| A25 | LED RETAINER | 058-0134 | 1 |
| A26 | SCREW BUTTON SELF-TAPPING TORX STEEL BO M4 10MM | F-SBHS-M4-10-ST-BO | 2 |
| A27 | SCREW BUTTON SELF-TAPPING TORX STEEL BO M5 6MM | F-SBHS-M5-6-ST-BO | 2 |
| A28 | STOP BOBBIN | 058-0185 | 1 |
| A29 | SCREW PAN HEAD POZIDRIV BO M5 16MM | F-SPHPZ-M5-16-ST-BO-1 | 1 |
| A30 | LOWER GUARD STOPPER | 058-0213 | 1 |
| A31 | PANHEAD SCREW M5X12 | F-SBHS-M5-12-ST-BO | 1 |
| A45 | SCREW BUTTON TORX STEEL BO M5 16MM | F-SBHS-M5-16-ST-BO | 8 |
| A46 | BLADE GUARD ADVANCE LEVER HANDLE | 058-0160 | 1 |
| A47 | BLADE GUARD ADVANCE LEVER PRESSING | 058-0195 | 1 |
| A48 | SIGHT GLASS FRONT | 058-0136 | 1 |
| A49 | SIGHT GLASS FRONT RETENTION & GUARD | 058-0142 | 1 |
| A50 | SCREW BUTTON SELF-TAPPING TORX STEEL BO M5 6MM | F-SBHS-M5-6-ST-BO | 2 |
| A51 | BLADE GUARD TORSION SPRING | 058-0110 | 1 |
| A52 | BLADE GUARD | 058-0108 | 1 |
| A53 | CIRCLIP EXTERNAL HEAVY DUTY 32MM | F-CCEXT-32-ST-SC | 1 |
| A54 | HEAD INNER PANEL | 058-0204 | 1 |
| A55 | BUTTON HEAD SOCKET M5 -16MM | F-SBHS-M5-16-ST-BO | 4 |
| A56 | FLANGE INNER - DUAL | 058-0190 | 1 |
| A58 | FLANGE OUTER | 058-0107 | 1 |
| A59 | BLADE BOLT (185CCSX) | 027-0158 | 1 |
| A60 | SPRING LOWER GUARD | 058-0211 | 1 |
| A63 | M8 WASHER | F-W-M8-ST-BO | 1 |
| A64 | SHOULDER SCREW | 058-0111 | 1 |
| B01 | BUTTON HEAD SELF-TAPPING TORX | F-SBHS-M5-18-ST-BO | 6 |
| B02 | REAR HANDLE LH | 058-0138 | 1 |
| B03 | TRIGGER LOCK OFF GATE | 058-0145 | 1 |
| B04 | TRIGGER LOCK OFF GATE SPRING | 058-0146 | 1 |
| B05 | MICROSWITCH V4 | 058-0218 | 1 |
| B06 | OVERLOAD LED | 058-0157 | 1 |
| B07 | OVERLOAD LED LENS HOUSING | 058-0156 | 1 |
| B08 | PCBA PSU LED B26-8B- 220 - 240V | 058-0206-1 | 1 |
| B09 | WIRE BLOCK CONNECTOR | 058-0161 | 1 |
| B10 | SUPPRESSION CAPACITOR 220-240V | 058-0162-1 | 1 |
| B11 | TRIGGER (SWITCH ASSY) | 058-0125 | 1 |
| B12 | ALLEN KEY GROMMET | 058-0158 | 1 |

| No. | Description | Part Code | Qty |
|------|---|----------------------|-----|
| B13 | M6 ALLEN KEY | F-HEXKEY-M6-ST-BO | 1 |
| B14 | WIRE RESTRAINT SADDLE | 058-0163 | 1 |
| B15 | CABLE STRAIN RELIEF | 058-0144 | 1 |
| B16 | CABLE UK 230V 3M | 058-0205 | 1 |
| B17 | REAR HANDLE RH | 058-0139-1 | 1 |
| C01 | SCREW BUTTON TORX STEEL BO M5 10MM | F-SBHS-M5-10-ST-BO | 4 |
| C02 | CHIP COLLECTOR INNER PANEL | 058-0130 | 1 |
| C03 | CHIP COLLECTOR INNER PANEL GATE | 058-0131 | 1 |
| C04 | CHIP COLLECTOR INNER PANEL GATE KNOB | 058-0135 | 1 |
| C05 | SCREW BUTTON TORX STEEL BO M4 10MM | F-SBHS-M4-10-ST-BO | 2 |
| C06 | SIGHT GLASS HEEL RETENTION | 058-0143-1 | 1 |
| C07 | SIGHT GLASS HEEL RETENTION | 058-0143-2 | 1 |
| C08 | POP RIVET 4X10 | F-BRIVET-C-D-4-AL-SC | 4 |
| C09 | CHIP COLLECTOR PERFORATED PANEL | 058-0151 | 1 |
| C10 | CHIP COLLECTOR HOUSING | 058-0122 | 1 |
| C11 | SCREW BUTTON TORX STEEL BO M5 10MM | F-SBHS-M5-10-ST-BO | 1 |
| C12 | CHIP COMPARTMENT LATCH LEAF SPRING | 058-0164 | 1 |
| C13 | CHIP COMPARTMENT MOVING CATCH | 058-0165 | 1 |
| C14 | CHIP COMPARTMENT MOVING CATCH ACTAUATOR | 058-0191 | 1 |
| D01 | SCREW BUTTON SELF-TAPPING TORX STEEL BO M4 10MM | F-SBHS-M4-10-ST-BO | 2 |
| D02 | MOTOR HOUSING ENDCAP | 058-0124 | 1 |
| D03 | MOTOR HOUSING SCREW | F-TFSHC-5-30-ST-BZP | 4 |
| D04 | MOTOR BRUSH HOUSING CAP | 058-0150 | 2 |
| D05 | MOTOR BRUSH HOUSING ASSEMBLY | 058-0148-1 | 1 |
| D06 | 220-240V MOTOR BRUSH (PR) | 058-0197-1 | 2 |
| D07 | MOTOR HOUSING | 058-0123 | 1 |
| D08 | 220 -240V 1800W FIELD COIL | 058-0194-01 | 1 |
| D09 | BUTTON HEAD SELF-TAPPING TORX - M5 - 65MM | F-SBHS-M5-65-ST-BO | 1 |
| D10 | MOTOR REAR BEARING BUSH | 058-0147 | 1 |
| D11 | MOTOR FAN BAFFLE | 058-0181 | 1 |
| D100 | 220 -240V ARMATURE ASSEMBLY 1800W | 058-0194-05 | 1 |
| E01 | M5 SOCKET HEAD CAP SCREW 8MM | F-SHCS-M5-8-ST-BO | 2 |
| E02 | M5 WASHER ST BO | F-W-M5-ST-BO | 2 |
| E03 | TRACK ADAPTOR CAM KNOB | 058-0174 | 2 |
| E05 | BASE LOCK NUT | F-NSF-M6-5-ST-BZP | 4 |
| E06 | BASE PLATE METRIC | 058-0168-1 | 1 |
| E07 | SOCKET STEEL BO M6 10MM | F-SSCCP-M6-10-ST-BO | 4 |
| E08 | BASE PLATE KNOB | 058-0171 | 2 |
| E09 | SPRING DOWEL HEAVY | F-SDH-600-40-ST-BO | 1 |
| E10 | HEAD PIVOT | 058-0167 | 1 |
| E102 | TRACK ADAPTOR ASSEMBLY | 058-0096 | 1 |
| E11 | SCREW BUTTON SOCKET STEEL BO M6 10MM | F-SBHS-M6-10-ST-BO | 2 |
| E12 | DEPTH GAUGE METRIC | 058-0178 | 1 |
| E13 | PARALLEL GUIDE (DIE-CAST) | 058-0210 | 1 |



Service Parts List

V: 058-0001

210mm Metal Cutting Circular Saw

230V
UK