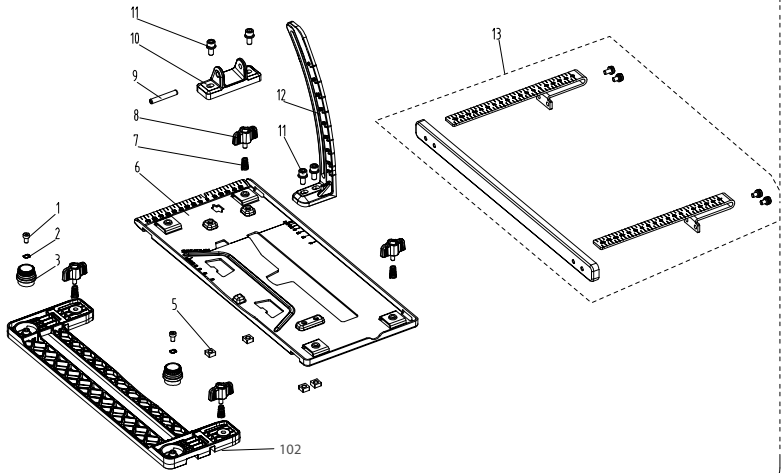
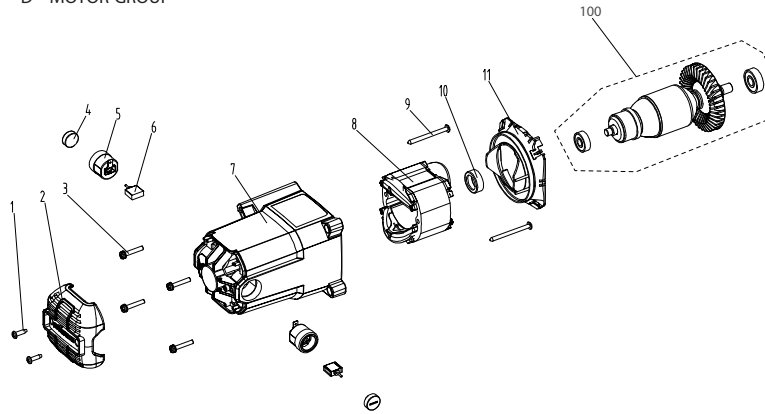


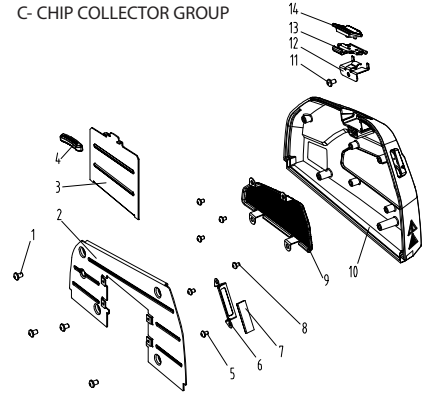
E - BASE GROUP



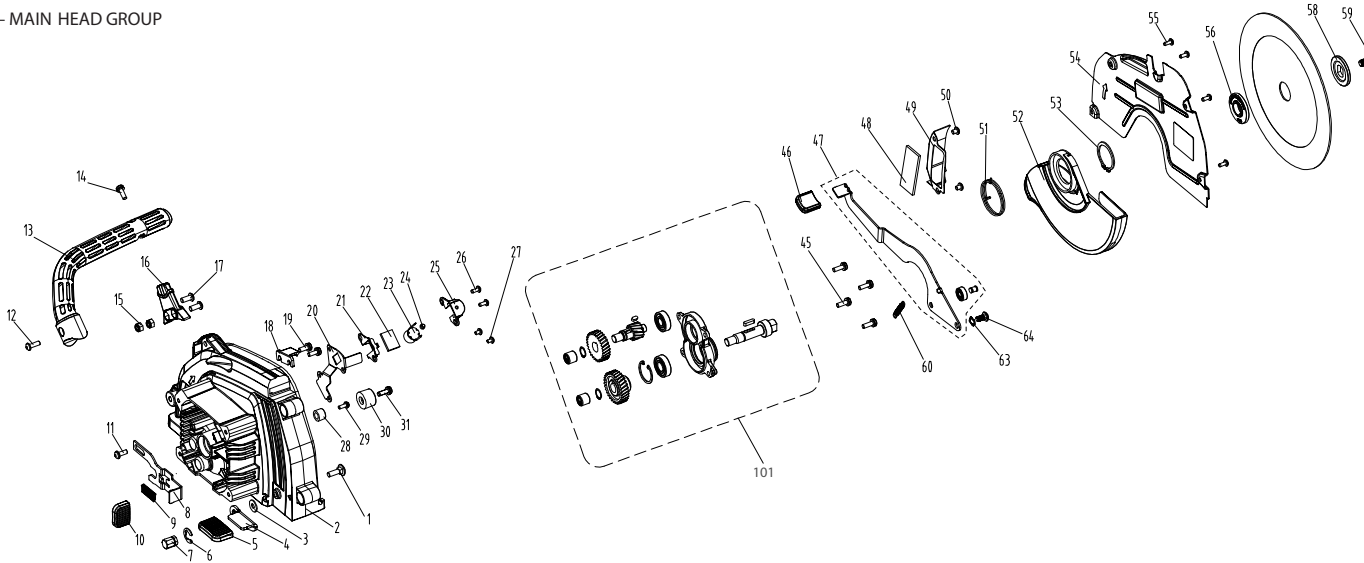
D - MOTOR GROUP



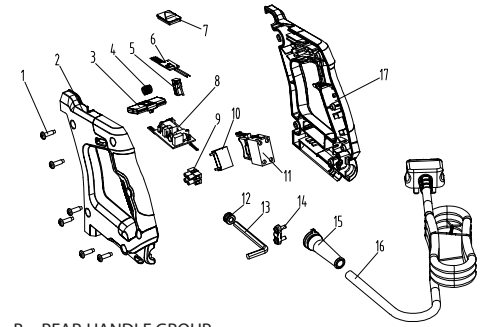
C - CHIP COLLECTOR GROUP



A - MAIN HEAD GROUP



B - REAR HANDLE GROUP



No.	Description	Part Code	Qty
A01	DEPTH ADJUST LOCK LEVER BOLT	F-CB-M8-30-15-ST-BO	1
A02	HEAD CASTING	058-0114	1
A03	FLAT WASHER16OD 6.4ID T1	F-W-M16-ST-BZP	1
A04	DEPTH ADJUST LOCK LEVEL	058-0175-1	1
A05	DEPTH ADJUST LOCK LEVER KNOB	058-0175-2	1
A06	HEAVY DUTY EXTERNAL E CLIP 8MM	F-EEXT-8-1-ST-BO	1
A07	DEPTH ADJUST LOCK LEVER NUT	058-0176	1
A08	ARBOR LOCK SLIDE TAB	058-0116	1
A09	BLADE LOCK TAB SPRING	058-0202	1
A10	ARBOR LOCK SLIDE TAB GRIP	058-0159	1
A101	GEARBOX ASSEMBLY	058-0212	1
A11	M5 X 14 BUTTON SOCKET	F-SBHS-M5-14-ST-BO	1
A12	SOCKET SCREW ST4.8-20MM	F-TFPHT-4.8-20-ST-BO	1
A13	FRONT BALE HANDLE	058-0119-1	1
A14	SOCKET SCREW M5-12MM	F-TFPHT-5-12-ST-BO	1
A15	NUT FULL PLAIN STEEL BO M6	F-NSF-M6-ST-BO	2
A16	FRONT BALE HANDLE SUPPORT	058-0119-3	1
A17	PANHEAD SCREW M5-12MM	F-SBHS-M5-12-ST-BO	2
A18	CHIP COMPARTMENT FIXED CATCH	058-0166	1
A19	SCREW BUTTON SELF-TAPPING TORX STEEL BO M5 6MM	F-SBHS-M5-6-ST-BO	2
A20	WIRE CONDUIT COVER	058-0132	1
A21	LED HOLDER	058-0133	1
A22	LED GLASS	058-0192	1
A23	LED	058-0207	1
A24	LED POSITIONNING PIN	058-0214	1
A25	LED RETAINER	058-0134	1
A26	SCREW BUTTON SELF-TAPPING TORX STEEL BO M4 10MM	F-SBHS-M4-10-ST-BO	2
A27	SCREW BUTTON SELF-TAPPING TORX STEEL BO M5 6MM	F-SBHS-M5-6-ST-BO	2
A28	STOP BOBBIN	058-0185	1
A29	SCREW PAN HEAD POZIDRIV BO M5 16MM	F-SPHPZ-M5-16-ST-BO-1	1
A30	LOWER GUARD STOPPER	058-0213	1
A31	PANHEAD SCREW M5X12	F-SBHS-M5-12-ST-BO	1
A45	SCREW BUTTON TORX STEEL BO M5 16MM	F-SBHS-M5-16-ST-BO	8
A46	BLADE GUARD ADVANCE LEVER HANDLE	058-0160	1
A47	BLADE GUARD ADVANCE LEVER PRESSING	058-0195	1
A48	SIGHT GLASS FRONT	058-0136	1
A49	SIGHT GLASS FRONT RETENTION & GUARD	058-0142	1
A50	SCREW BUTTON SELF-TAPPING TORX STEEL BO M5 6MM	F-SBHS-M5-6-ST-BO	2
A51	BLADE GUARD TORSION SPRING	058-0110	1
A52	BLADE GUARD	058-0108	1
A53	CIRCLIP EXTERNAL HEAVY DUTY 32MM	F-CCEXT-32-ST-SC	1
A54	HEAD INNER PANEL	058-0204	1
A55	BUTTON HEAD SOCKET M5 -16MM	F-SBHS-M5-16-ST-BO	4
A56	FLANGE INNER - DUAL	058-0190	1
A58	FLANGE OUTER	058-0107	1
A59	BLADE BOLT (185CCSX)	027-0158	1
A60	SPRING LOWER GUARD	058-0211	1
A63	M8 WASHER	F-W-M8-ST-BO	1
A64	SHOULDER SCREW	058-0111	1
B01	BUTTON HEAD SELF-TAPPING TORX	F-SBHS-M5-18-ST-BO	6
B02	REAR HANDLE LH	058-0138	1
B03	TRIGGER LOCK OFF GATE	058-0145	1
B04	TRIGGER LOCK OFF GATE SPRING	058-0146	1
B05	MICROSWITCH V4	058-0218	1
B06	OVERLOAD LED	058-0157	1
B07	OVERLOAD LED LENS HOUSING	058-0156	1
B08	PCBA PSU LED B26-88- 110-120V	058-0206-2	1
B09	WIRE BLOCK CONNECTOR	058-0161	1
B10	SUPPRESSION CAPACITOR 110-120V	058-0162-2	1
B11	TRIGGER (SWITCH ASSY)	058-0125	1
B12	ALLEN KEY GROMMET	058-0158	1
B13	M6 ALLEN KEY	F-HEXKEY-M6-ST-BO	1

No.	Description	Part Code	Qty
B14	WIRE RESTRAINT SADDLE	058-0163	1
B15	CABLE STRAIN RELIEF	058-0144	1
B16	CABLE UK 110V 3M	058-0219	1
B17	REAR HANDLE RH	058-0139-1	1
C01	SCREW BUTTON TORX STEEL BO M5 10MM	F-SBHS-M5-10-ST-BO	4
C02	CHIP COLLECTOR INNER PANEL	058-0130	1
C03	CHIP COLLECTOR INNER PANEL GATE	058-0131	1
C04	CHIP COLLECTOR INNER PANEL GATE KNOB	058-0135	1
C05	SCREW BUTTON TORX STEEL BO M4 10MM	F-SBHS-M4-10-ST-BO	2
C06	SIGHT GLASS HEEL RETENTION	058-0143-1	1
C07	SIGHT GLASS HEEL RETENTION	058-0143-2	1
C08	POP RIVET 4X10	F-BRIVET-C-D-4-AL-SC	4
C09	CHIP COLLECTOR PERFORATED PANEL	058-0151	1
C10	CHIP COLLECTOR HOUSING	058-0122	1
C11	SCREW BUTTON TORX STEEL BO M5 10MM	F-SBHS-M5-10-ST-BO	1
C12	CHIP COMPARTMENT LATCH LEAF SPRING	058-0164	1
C13	CHIP COMPARTMENT MOVING CATCH	058-0165	1
C14	CHIP COMPARTMENT MOVING CATCH ACTUATOR	058-0191	1
D01	SCREW BUTTON SELF-TAPPING TORX STEEL BO M4 10MM	F-SBHS-M4-10-ST-BO	2
D02	MOTOR HOUSING ENDCAP	058-0124	1
D03	MOTOR HOUSING SCREW	F-TFSHC-5-30-ST-BZP	4
D04	MOTOR BRUSH HOUSING CAP	058-0150	2
D05	MOTOR BRUSH HOUSING ASSEMBLY	058-0148-1	1
D06	110-120V MOTOR BRUSH (PR)	058-0197-2	2
D07	MOTOR HOUSING	058-0123	1
D08	110-120V 1800W FIELD COIL	058-0194-02	1
D09	BUTTON HEAD SELF-TAPPING TORX - M5 - 65MM	F-SBHS-M5-65-ST-BO	1
D10	MOTOR REAR BEARING BUSH	058-0147	1
D11	MOTOR FAN BAFFLE	058-0181	1
D100	110-120V ARMATURE ASSEMBLY 1800W(2 BEARING)	058-0194-06	1
E01	M5 SOCKET HEAD CAP SCREW 8MM	F-SHCS-M5-8-ST-BO	2
E02	M5 WASHER ST BO	F-W-M5-ST-BO	2
E03	TRACK ADAPTOR CAM KNOB	058-0174	2
E05	BASE LOCK NUT	F-NSF-M6-5-ST-BZP	4
E06	BASE PLATE METRIC	058-0168-1	1
E07	SOCKET STEEL BO M6 10MM	F-SSCCP-M6-10-ST-BO	4
E08	BASE PLATE KNOB	058-0171	2
E09	SPRING DOWEL HEAVY	F-SDH-600-40-ST-BO	1
E10	HEAD PIVOT	058-0167	1
E11	SCREW BUTTON SOCKET STEEL BO M6 10MM	F-SBHS-M6-10-ST-BO	2
E12	DEPTH GAUGE METRIC	058-0178	1
E13	PARALLEL GUIDE (DIE-CAST)	058-0210	1
E102	TRACK ADAPTOR ASSEMBLY	058-0096	1



Service Parts List

V: 058-0002

210mm Metal Cutting Circular Saw

110V
UK