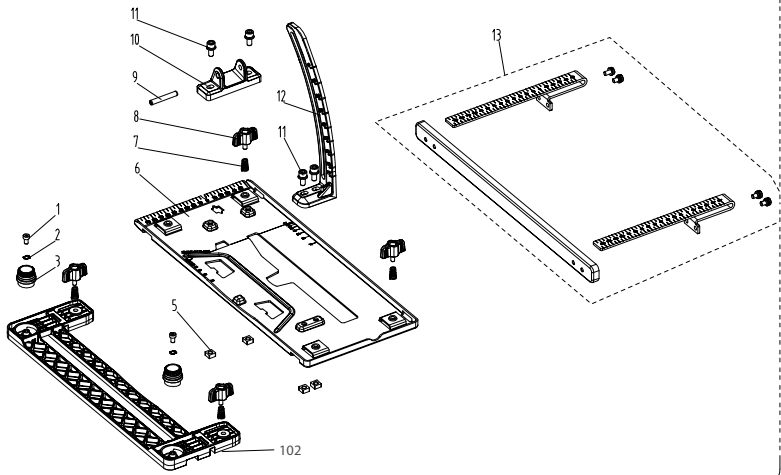
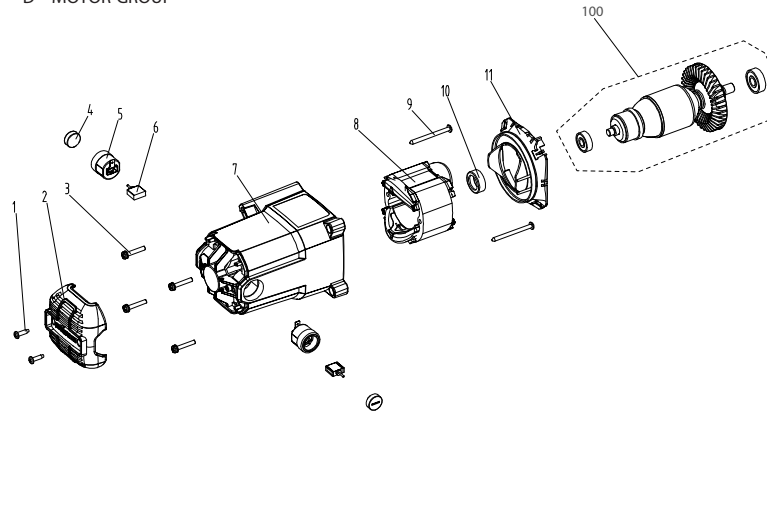


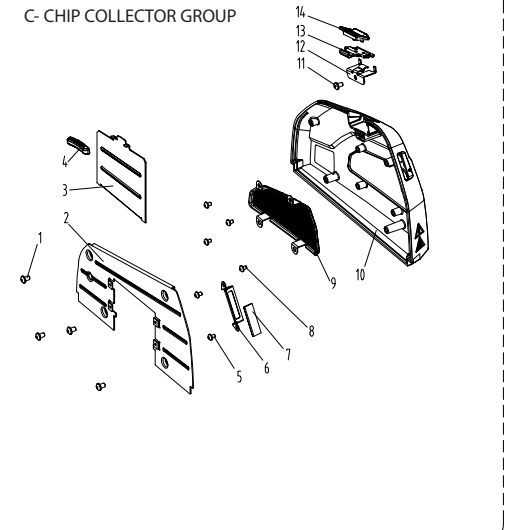
E - BASE GROUP



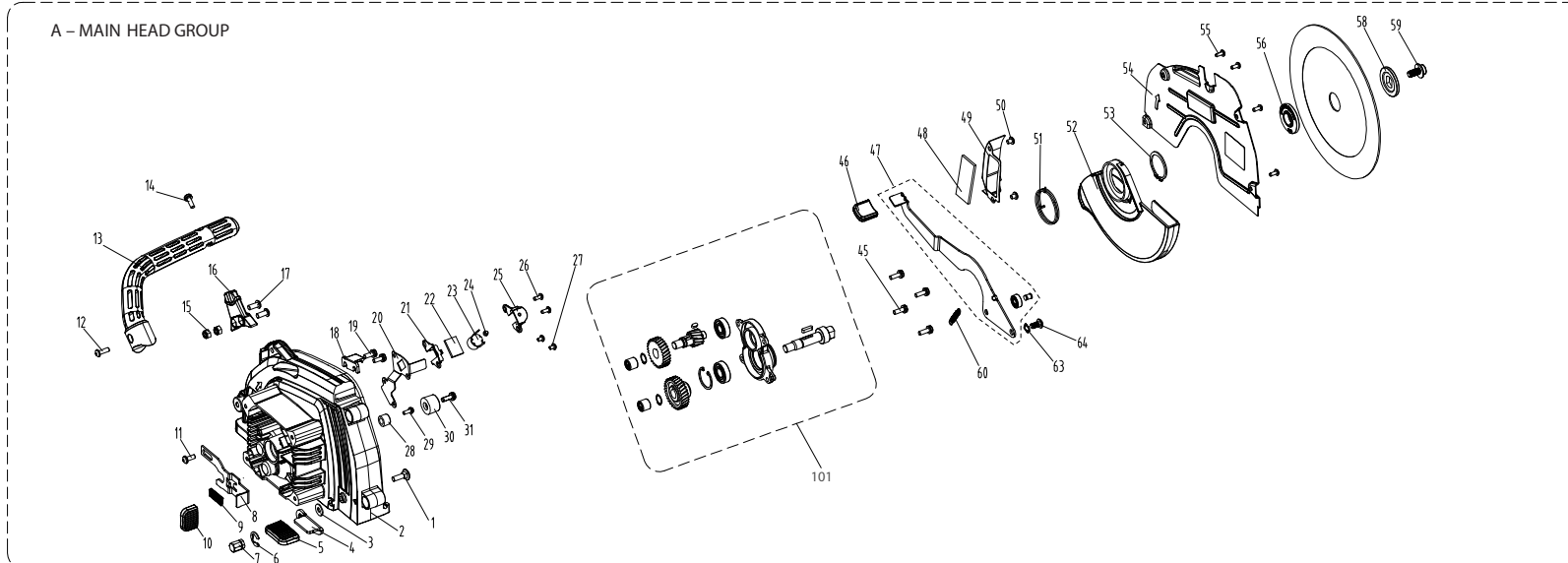
D - MOTOR GROUP



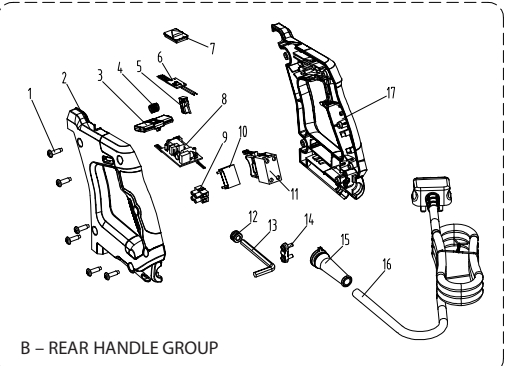
C - CHIP COLLECTOR GROUP



A - MAIN HEAD GROUP



B - REAR HANDLE GROUP



| No.  | Description                                     | Part Code             | Qty |
|------|---|-----------------------|-----|
| A01  | DEPTH ADJUST LOCK LEVER BOLT                    | F-CB-M8-30-15-ST-BO   | 1   |
| A02  | HEAD CASTING                                    | 058-0114              | 1   |
| A03  | FLAT WASHER16OD 6.4ID T1                        | F-W-M16-ST-BZP        | 1   |
| A04  | DEPTH ADJUST LOCK LEVEL                         | 058-0175-1            | 1   |
| A05  | DEPTH ADJUST LOCK LEVER KNOB                    | 058-0175-2            | 1   |
| A06  | HEAVY DUTY EXTERNAL E CLIP 8MM                  | F-EEXT-8-1-ST-BO      | 1   |
| A07  | DEPTH ADJUST LOCK LEVER NUT                     | 058-0176              | 1   |
| A08  | ARBOR LOCK SLIDE TAB                            | 058-0116              | 1   |
| A09  | BLADE LOCK TAB SPRING                           | 058-0202              | 1   |
| A10  | ARBOR LOCK SLIDE TAB GRIP                       | 058-0159              | 1   |
| A101 | GEARBOX ASSEMBLY                                | 058-0212              | 1   |
| A11  | M5 X 14 BUTTON SOCKET                           | F-SBHS-M5-14-ST-BO    | 1   |
| A12  | SOCKET SCREW ST4.8-20MM                         | F-TFPHT-4.8-20-ST-BO  | 1   |
| A13  | FRONT BALE HANDLE                               | 058-0119-1            | 1   |
| A14  | SOCKET SCREW M5-12MM                            | F-TFPHT-5-12-ST-BO    | 1   |
| A15  | NUT FULL PLAIN STEEL BO M6                      | F-NSF-M6-ST-BO        | 2   |
| A16  | FRONT BALE HANDLE SUPPORT                       | 058-0119-3            | 1   |
| A17  | PANHEAD SCREW M5-12MM                           | F-SBHS-M5-12-ST-BO    | 2   |
| A18  | CHIP COMPARTMENT FIXED CATCH                    | 058-0166              | 1   |
| A19  | SCREW BUTTON SELF-TAPPING TORX STEEL BO M5 6MM  | F-SBHS-M5-6-ST-BO     | 2   |
| A20  | WIRE CONDUIT COVER                              | 058-0132              | 1   |
| A21  | LED HOLDER                                      | 058-0133              | 1   |
| A22  | LED GLASS                                       | 058-0192              | 1   |
| A23  | LED   | 058-0207              | 1   |
| A24  | LED POSITIONNING PIN                            | 058-0214              | 1   |
| A25  | LED RETAINER                                    | 058-0134              | 1   |
| A26  | SCREW BUTTON SELF-TAPPING TORX STEEL BO M4 10MM | F-SBHS-M4-10-ST-BO    | 2   |
| A27  | SCREW BUTTON SELF-TAPPING TORX STEEL BO M5 6MM  | F-SBHS-M5-6-ST-BO     | 2   |
| A28  | STOP BOBBIN                                     | 058-0185              | 1   |
| A29  | SCREW PAN HEAD POZIDRIV BO M5 16MM              | F-SPHPZ-M5-16-ST-BO-1 | 1   |
| A30  | LOWER GUARD STOPPER                             | 058-0213              | 1   |
| A31  | PANHEAD SCREW M5X12                             | F-SBHS-M5-12-ST-BO    | 1   |
| A45  | SCREW BUTTON TORX STEEL BO M5 16MM              | F-SBHS-M5-16-ST-BO    | 8   |
| A46  | BLADE GUARD ADVANCE LEVER HANDLE                | 058-0160              | 1   |
| A47  | BLADE GUARD ADVANCE LEVER PRESSING              | 058-0195              | 1   |
| A48  | SIGHT GLASS FRONT                               | 058-0136              | 1   |
| A49  | SIGHT GLASS FRONT RETENTION & GUARD             | 058-0142              | 1   |
| A50  | SCREW BUTTON SELF-TAPPING TORX STEEL BO M5 6MM  | F-SBHS-M5-6-ST-BO     | 2   |
| A51  | BLADE GUARD TORSION SPRING                      | 058-0110              | 1   |
| A52  | BLADE GUARD                                     | 058-0108              | 1   |
| A53  | CIRCLIP EXTERNAL HEAVY DUTY 32MM                | F-CCEXT-32-ST-SC      | 1   |
| A54  | HEAD INNER PANEL                                | 058-0204              | 1   |
| A55  | BUTTON HEAD SOCKET M5 -16MM                     | F-SBHS-M5-16-ST-BO    | 4   |
| A56  | FLANGE INNER - DUAL                             | 058-0190              | 1   |
| A58  | FLANGE OUTER                                    | 058-0107              | 1   |
| A59  | BLADE BOLT (185CCSX)                            | 027-0158              | 1   |
| A60  | SPRING LOWER GUARD                              | 058-0211              | 1   |
| A63  | M8 WASHER                                       | F-W-M8-ST-BO          | 1   |
| A64  | SHOULDER SCREW                                  | 058-0111              | 1   |
| B01  | BUTTON HEAD SELF-TAPPING TORX                   | F-SBHS-M5-18-ST-BO    | 6   |
| B02  | REAR HANDLE LH                                  | 058-0138              | 1   |
| B03  | TRIGGER LOCK OFF GATE                           | 058-0145              | 1   |
| B04  | TRIGGER LOCK OFF GATE SPRING                    | 058-0146              | 1   |
| B05  | MICROSWITCH V4                                  | 058-0218              | 1   |
| B06  | OVERLOAD LED                                    | 058-0157              | 1   |
| B07  | OVERLOAD LED LENS HOUSING                       | 058-0156              | 1   |
| B08  | PCBA PSU LED B26-8B- 220 - 240V                 | 058-0206-1            | 1   |
| B09  | WIRE BLOCK CONNECTOR                            | 058-0161              | 1   |
| B10  | SUPPRESSION CAPACITOR 220-240V                  | 058-0162-1            | 1   |
| B11  | TRIGGER (SWITCH ASSY)                           | 058-0125              | 1   |
| B12  | ALLEN KEY GROMMET                               | 058-0158              | 1   |

| No.  | Description                                     | Part Code            | Qty |
|------|---|----------------------|-----|
| B13  | M6 ALLEN KEY                                    | F-HEXKEY-M6-ST-BO    | 1   |
| B14  | WIRE RESTRAINT SADDLE                           | 058-0163             | 1   |
| B15  | CABLE STRAIN RELIEF                             | 058-0144             | 1   |
| B16  | CABLE EU 230V 3M                                | 058-0215             | 1   |
| B17  | REAR HANDLE RH                                  | 058-0139-1           | 1   |
| C01  | SCREW BUTTON TORX STEEL BO M5 10MM              | F-SBHS-M5-10-ST-BO   | 4   |
| C02  | CHIP COLLECTOR INNER PANEL                      | 058-0130             | 1   |
| C03  | CHIP COLLECTOR INNER PANEL GATE                 | 058-0131             | 1   |
| C04  | CHIP COLLECTOR INNER PANEL GATE KNOB            | 058-0135             | 1   |
| C05  | SCREW BUTTON TORX STEEL BO M4 10MM              | F-SBHS-M4-10-ST-BO   | 2   |
| C06  | SIGHT GLASS HEEL RETENTION                      | 058-0143-1           | 1   |
| C07  | SIGHT GLASS HEEL RETENTION                      | 058-0143-2           | 1   |
| C08  | POP RIVET 4X10                                  | F-BRIVET-C-D-4-AL-SC | 4   |
| C09  | CHIP COLLECTOR PERFORATED PANEL                 | 058-0151             | 1   |
| C10  | CHIP COLLECTOR HOUSING                          | 058-0122             | 1   |
| C11  | SCREW BUTTON TORX STEEL BO M5 10MM              | F-SBHS-M5-10-ST-BO   | 1   |
| C12  | CHIP COMPARTMENT LATCH LEAF SPRING              | 058-0164             | 1   |
| C13  | CHIP COMPARTMENT MOVING CATCH                   | 058-0165             | 1   |
| C14  | CHIP COMPARTMENT MOVING CATCH ACTAUATOR         | 058-0191             | 1   |
| D01  | SCREW BUTTON SELF-TAPPING TORX STEEL BO M4 10MM | F-SBHS-M4-10-ST-BO   | 2   |
| D02  | MOTOR HOUSING ENDCAP                            | 058-0124             | 1   |
| D03  | MOTOR HOUSING SCREW                             | F-TFSHC-5-30-ST-BZP  | 4   |
| D04  | MOTOR BRUSH HOUSING CAP                         | 058-0150             | 2   |
| D05  | MOTOR BRUSH HOUSING ASSEMBLY                    | 058-0148-1           | 1   |
| D06  | 220-240V MOTOR BRUSH (PR)                       | 058-0197-1           | 2   |
| D07  | MOTOR HOUSING                                   | 058-0123             | 1   |
| D08  | 220 -240V 1800W FIELD COIL                      | 058-0194-01          | 1   |
| D09  | BUTTON HEAD SELF-TAPPING TORX - M5 - 65MM       | F-SBHS-M5-65-ST-BO   | 1   |
| D10  | MOTOR REAR BEARING BUSH                         | 058-0147             | 1   |
| D11  | MOTOR FAN BAFFLE                                | 058-0181             | 1   |
| D100 | 220 -240V ARMATURE ASSEMBLY 1800W(2 BEARING)    | 058-0194-05          | 1   |
| E01  | M5 SOCKET HEAD CAP SCREW 8MM                    | F-SHCS-M5-8-ST-BO    | 2   |
| E02  | M5 WASHER ST BO                                 | F-W-M5-ST-BO         | 2   |
| E03  | TRACK ADAPTOR CAM KNOB                          | 058-0174             | 2   |
| E05  | BASE LOCK NUT                                   | F-NSF-M6-5-ST-BZP    | 4   |
| E06  | BASE PLATE METRIC                               | 058-0168-1           | 1   |
| E07  | SOCKET STEEL BO M6 10MM                         | F-SSCCP-M6-10-ST-BO  | 4   |
| E08  | BASE PLATE KNOB                                 | 058-0171             | 2   |
| E09  | SPRING DOWEL HEAVY                              | F-SDH-600-40-ST-BO   | 1   |
| E10  | HEAD PIVOT                                      | 058-0167             | 1   |
| E11  | SCREW BUTTON SOCKET STEEL BO M6 10MM            | F-SBHS-M6-10-ST-BO   | 2   |
| E12  | DEPTH GAUGE METRIC                              | 058-0178             | 1   |
| E13  | PARALLEL GUIDE (DIE-CAST)                       | 058-0210             | 1   |
| E102 | TRACK ADAPTOR ASSEMBLY                          | 058-0096             | 1   |



Service Parts List

V: 058-0003

210mm Metal Cutting Circular Saw

230V  
EU