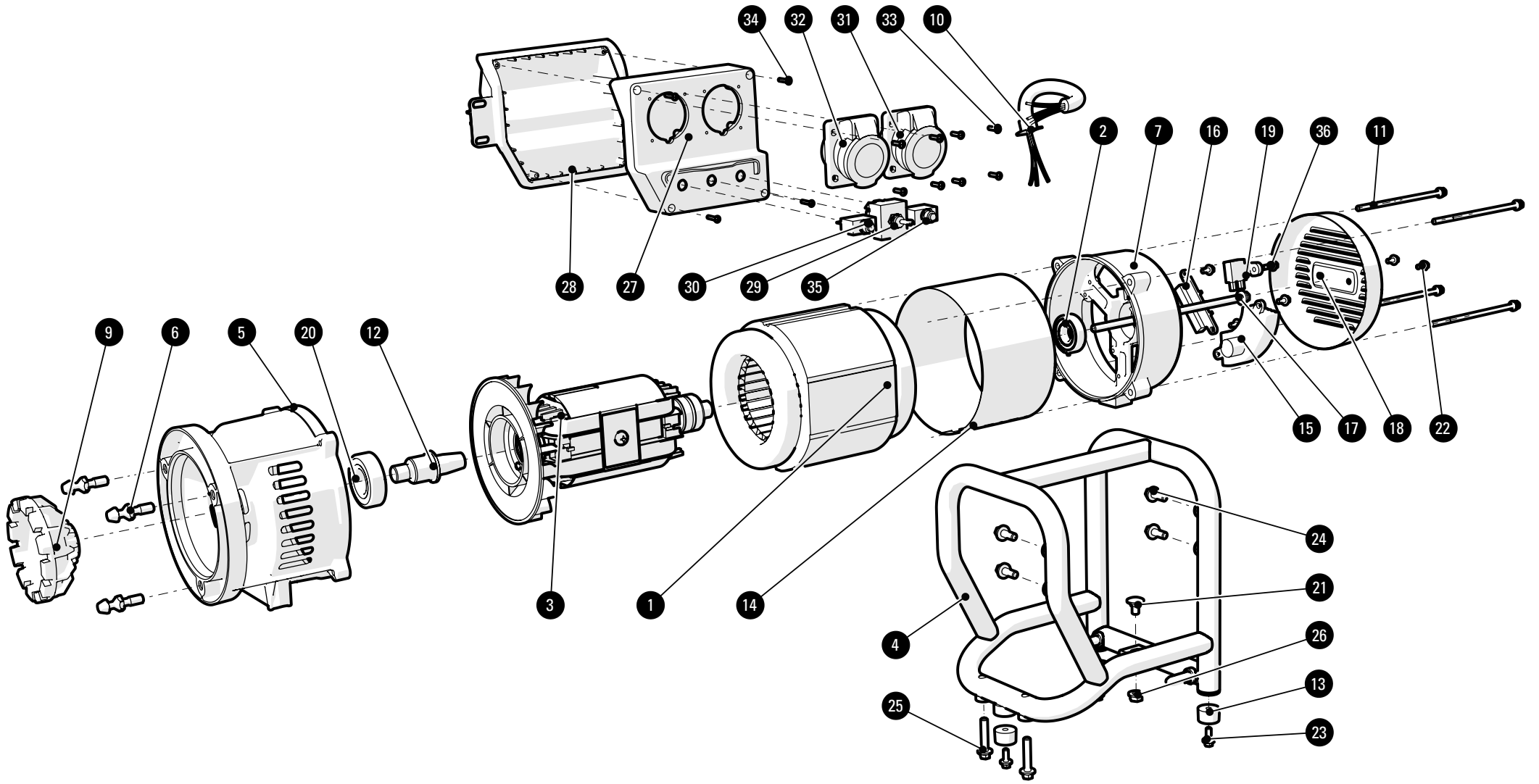




# GENERATOR (GEN2800) WITH EVO-SYSTEM® TECHNOLOGY

DIAGRAM PART NUMBER: 014-0114

Registered Design. Patent Pending 1101605.2.





**GENERATOR (GEN2800)  
WITH EVO-SYSTEM® TECHNOLOGY  
DIAGRAM PART NUMBER: 014-0114**

Registered Design. Patent Pending 1101605.2.

No.	Part No.	Description	Quantity
1	014-0114-2	Stator 2.5Kw	1
2	014-0114-3	Custom Bearing	1
3	014-0114-4	Rotor 2.5Kw	1
4	014-1061	Frame	1
5	014-1063	Adaptor Casting	1
6	014-1066	Pin	3
7	014-1074	Rear housing	1
9	014-1129	Accessory Hub	1
10	014-1136	Wiring Loom	1
11	014-1137	Fastener Subassy	4
12	014-1155	Shaft	1
13	014-1165	Ruber Feet	3
14	014-1207	Laminations cover	1
15	014-1220	AVR	1
16	014-1221	Terminal Block	1
17	014-1222	Stator Bolt	1
18	014-1223	End cover	1
19	014-1224	Brush Holder	1

No.	Part No.	Description	Quantity
20	F-B-6205-2RSR	Bearing 6205 2RSR	1
21	F-CB-M8-15-ST-BZP	M8 x 15 Coach Bolt	1
22	F-HFS-M5-10-ST-BZP	M5 x 10 Hex Flanged Screw	6
23	F-HFS-M6-15-ST-BZP	M6 x 15 Hex Flanged Screw	3
24	F-HFS-M8-20-ST-BZP	M8 x 20 Hex Flanged Screw	4
25	F-HFS-M8-40-ST-BZP	M8 x 40 Hex Flanged Screw	2
26	F-NFS-M8-X-ST-SC	M8 Flanged Nut (Serrated)	1
27	014-1077	Electrical Housing - Front	1
28	014-1078	Electrical Housing - Rear	1
29	014-1127	Voltage Selector Switch	1
30	014-1226	Overload Switch 10A	1
31	014-1210	BS4343 Socket 110V	1
32	014-1211	BS4343 Socket 230V	1
33	F-TFSPHPZ-30-15-ST-BO	Threadforming PH Screw 30 x 15	8
34	F-TFSPHPZ-30-20-ST-BO	Threadforming PH Screw 30 x 20	4
35	014-1131	Overload Switch 20A	1
36	F-HFS-M5-15-ST-BZP	M5 x 15 Hex Flanged Screw	1