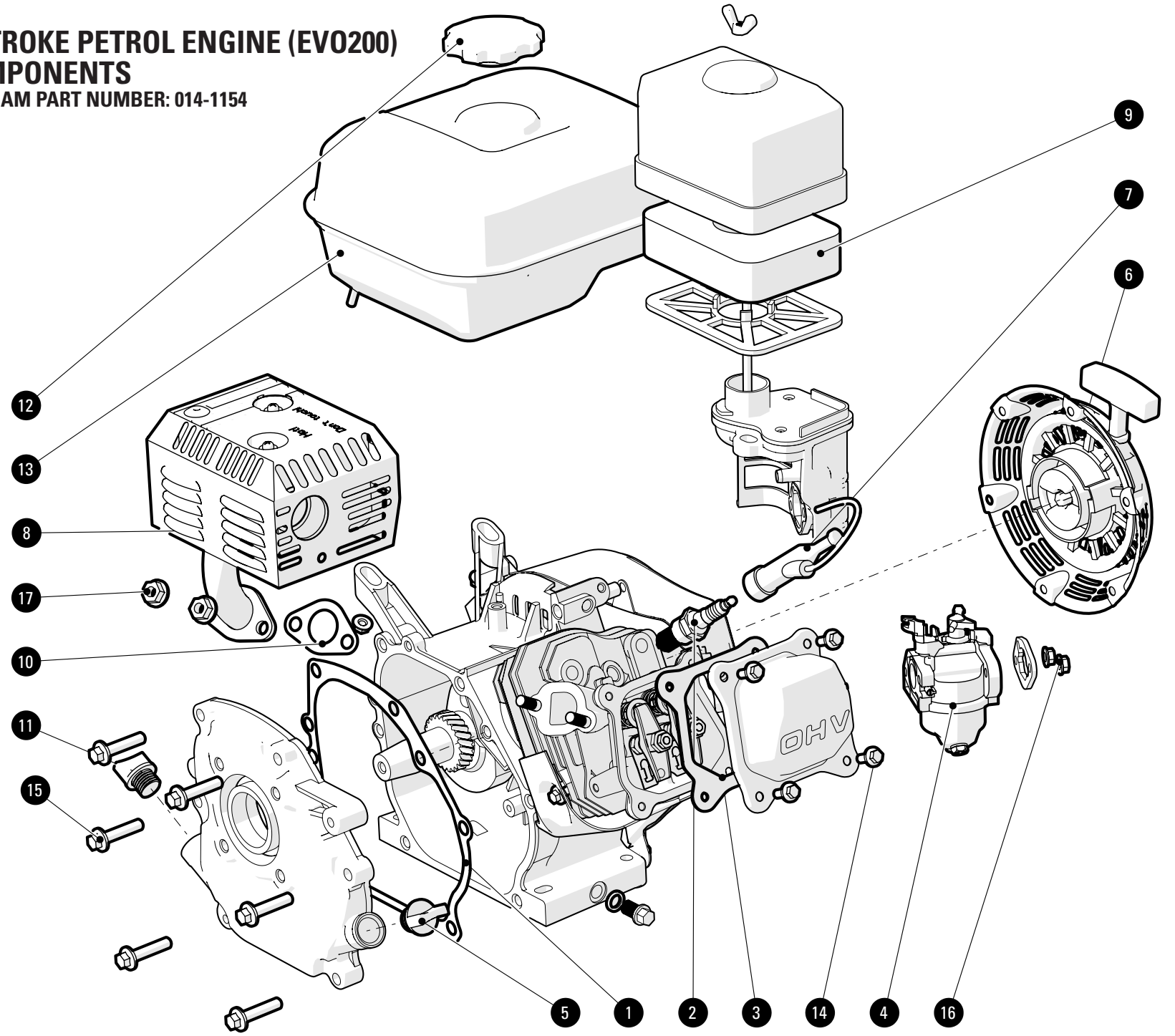


**4-STROKE PETROL ENGINE (EVO200)
COMPONENTS
DIAGRAM PART NUMBER: 014-1154**





4-STROKE PETROL ENGINE (EVO200) COMPONENTS

DIAGRAM PART NUMBER: 014-1154

Registered Design. Patent Pending 1101605.2.

No.	Part No.	Description	Quantity
1	014-1154-03	Crankcase Gasket	1
2	014-1154-21	Spark Plug	1
3	014-1154-22	Rocker Gasket	1
4	014-1154-26	Carburettor	1
5	014-1154-30	Oil filler Plug	1
6	014-1154-35	Recoil Assement	1
7	014-1154-36	Plug cap	1
8	014-1154-37	Muffler	1
9	014-1154-46	Air filer element	1

No.	Part No.	Description	Quantity
10	014-1154-47	Exhaust Gasket	1
11	014-1154-48	Oil filler cap/dip stick	1
12	014-1154-40	Fuel Cap	1
13	014-1154-39	Fuel Tank	1
14	F-HFS-M6-15-ST-BZP	M6*15 Hex Flanged Screw	7
15	F-HFS-M8-35-ST-BZP	M8*35 Hex Flanged Screw	6
16	F-NFS-M6-X-ST-BZP	M6 Flaned Nut(Serrated)	4
17	F-NFS-M8-X-ST-BZP	M8 Flaned Nut(Serrated)	2