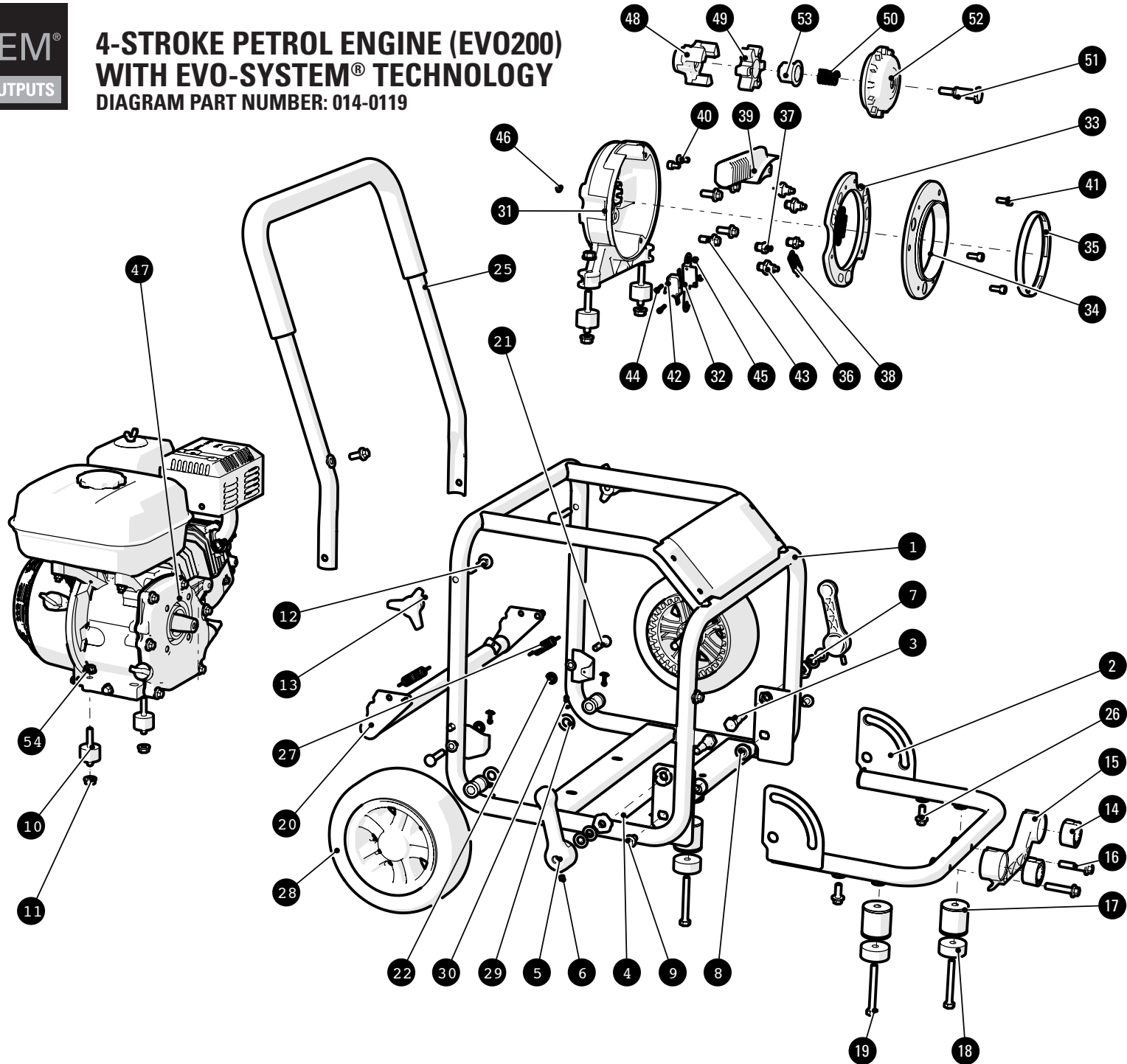




Registered Design. Patent Pending 1101605.2.

# 4-STROKE PETROL ENGINE (EVO200) WITH EVO-SYSTEM® TECHNOLOGY

DIAGRAM PART NUMBER: 014-0119





## 4-STROKE PETROL ENGINE (EVO200) WITH EVO-SYSTEM® TECHNOLOGY

DIAGRAM PART NUMBER: 014-0119

Registered Design. Patent Pending 1101605.2.

No.	Part No.	Description	Quantity
1	014-1149	Engine Frame	1
2	014-1090	Accessory Frame	1
3	014-1089	Centre - Frame lock	2
4	014-1093	Follower - Cam plate	2
5	014-1130	Lever	2
6	F-SSCP-M6-12-ST-BO	M6 x 12 Set Screw Cup Point	2
7	014-1044	Bellville washer	4
8	014-1114	Nut Special Hinge	2
9	F-HFS-M8-15-ST-BZP	M8 x 15 Hex Flange Screw	2
10	014-1151	Engine Mount	4
11	F-NFS-M8-X-ST-SC	M8 Flange Nut (Serrated)	4
12	F-CB-M8-50-ST-BZP	M8 x 50 Coach Bolt	2
13	014-1217	Knob	2
14	014-1042	Accessory Mounting Rubber	2
15	014-1048	Accessory Support Bracket	1
16	F-HFS-M8-40-ST-BZP	M8 x 40 Hex Flanged Screw	2
17	014-1117	Foot	3
18	014-1218	Rubber Foot	3
19	F-HS-M8-70-ST-BZP	M8 x 70 Hex Screw	3
20	014-1147	Brake Bar	1
21	014-1148	Pin	2
22	F-W-M8-X-ST-BZP	M8 Flat Washer	2
25	014-1124	Handle	1
26	F-HFS-M8-20-ST-BZP	M8 x 20 Hex Flanged Screw	4
27	014-1162	Spring	2
28	014-1167	Wheel	2

No.	Part No.	Description	Quantity
29	F-W-M12-X-ST-BZP	M12 Flat Washer	2
30	F-SPLITPIN-3-20-ST-BZP	Split Pin 3mm x 20mm	4
31	014-1097	Housing - drive	1
32	014-1099	Bracket (microswitch)	1
33	014-1141	Latch Plate	1
34	014-1110	Plate - Lock	1
35	014-1011	Guide Ring	1
36	014-1067	Pin - Guide	3
37	014-1056	Spring Retainer	2
38	014-1010	Spring	2
39	014-1095	Lever	1
40	F-SHCS-M6-10-ST-BZP	M6 x 10 Socket Head Cap Screw	2
41	F-SHCS-M6-15-ST-BZP	M6 x 15 Socket head Cap Screw	3
42	014-1079	Micro Switch	1
43	F-HFS-M8-20-ST-BZP	M8 x 20 Hex Flanged Screw	4
44	F-SHCS-M3-16-ST-BO	M3 x 16 Socket Head Cap Screw	2
45	F-NFN-M3-X-ST-BZP	M3 Nyloc Flanged Nut	2
46	014-1140	Grommet	1
47	014-1154	Engine	1
48	014-1139	Drive Hub	1
49	014-1072	Spider HNBR Coupling	1
50	014-1020	Spring	1
51	014-1106	Bolt - Flexible Drive	1
52	014-1126	Hub - Accessory	1
53	014-1107	Bush	1
54	F-NFS-M8-X-ST-SC	M8 Flanged Nut (Serrated)	4