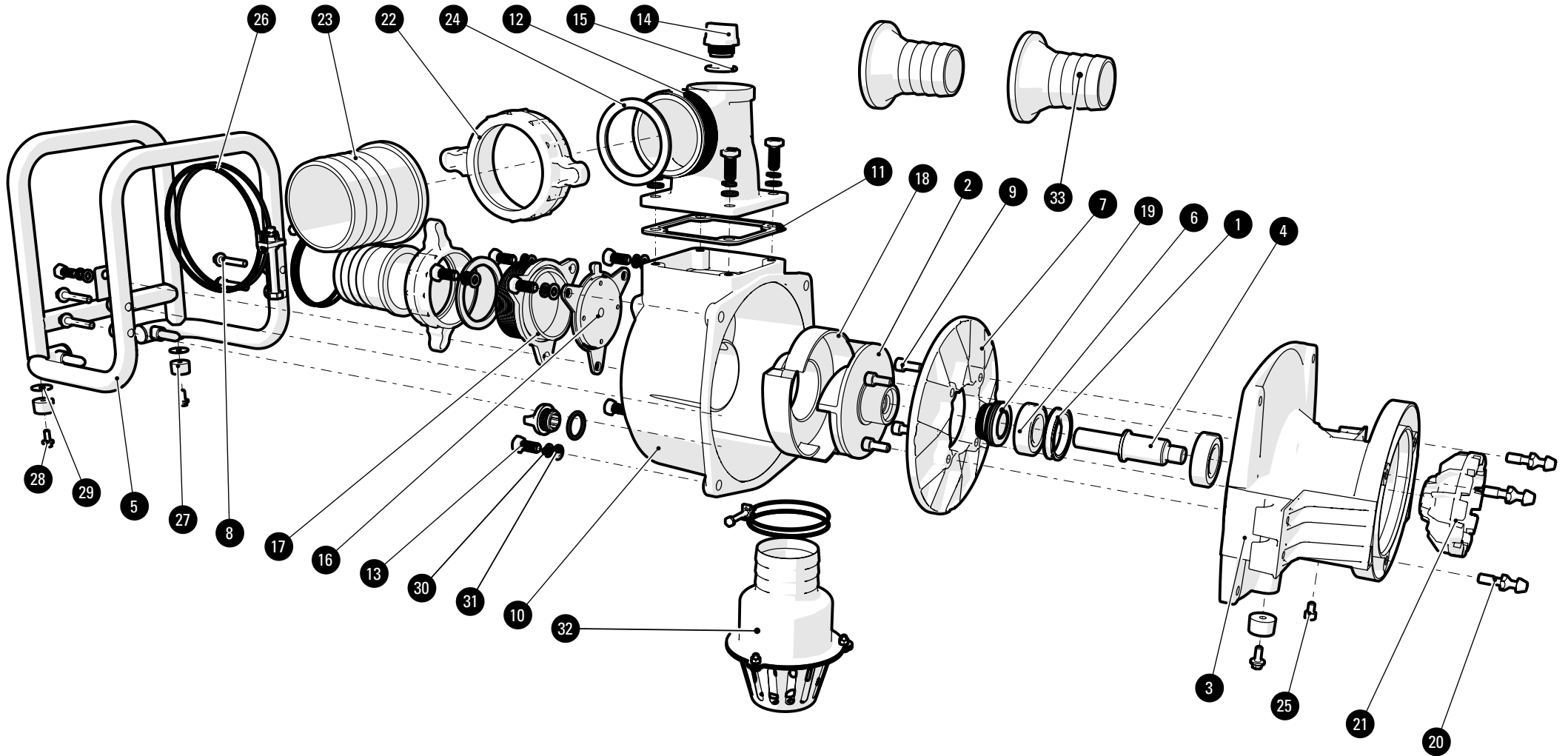




WATER PUMP (DWP1000)
WITH EVO-SYSTEM® TECHNOLOGY
DIAGRAM PART NUMBER: 014-0117

Registered Design. Patent Pending 1101605.2.





**WATER PUMP (DWP1000)
WITH EVO-SYSTEM® TECHNOLOGY
DIAGRAM PART NUMBER: 014-0117**

Registered Design. Patent Pending 1101605.2.

No.	Part No.	Description	Quantity
1	014-1104	Spacer	1
2	014-1134-2	Impeller	1
3	014-1143	Adapter Casting	1
4	014-1144	Shaft	1
5	014-1145	Frame	1
6	F-B-6205-2RSR	Bearing 6205 2 RSR	2
7	014-1102	Impeller Back plate	1
8	F-HFS-M8-45-ST-BZP	M8 x 45 Hex Flanged Screw	4
9	F-SHCS-M8-20-ST-BZP	M8 x 20 Socket Head Cap Screw	4
10	014-1134-A	Main Pump housing	1
11	014-1134-B	Output Gasket	1
12	014-1134-C	Output Casting	1
13	F-HS-M10-25-ST-BZP	M10 x 25 Hex Screw	11
14	014-1134-E	Plug	2
15	014-1134-F	O-Ring	2
16	014-1134-G	Flap valve	1
17	014-1134-H	Inlet Casting	1

No.	Part No.	Description	Quantity
18	014-1134-K	Impeller flow guide	1
19	014-1134-1	Seal	1
20	014-1066	Pin	3
21	014-1129	Accessory Hub	1
22	014-1134-3-A	Collar	2
23	014-1134-3-B	Hose Adaptor	2
24	014-1134-5	Rubber Gasket	2
25	F-SHCS-M6-10-ST-BZP	M6 x 10 Socket Head Cap Screw	1
26	014-1134-4	Hose Clamp 75mm	3
27	014-1165	Rubber Feet	3
28	F-HFS-M6-15-ST-BZP	M6 x 15 Hex Flanged Screw	3
29	F-RW-M6-X-ST-BZP	M6 Repair Washer	2
30	F-SWA-M8-X-ST-SC	M8 Spring Washer	11
31	F-W-M8-X-ST-SC	M8 Flat Washer	11
32	014-1228	Basket Strainer and Valve 75mm	1
33	014-1230	50mm to 75mm Hose Adapter	2