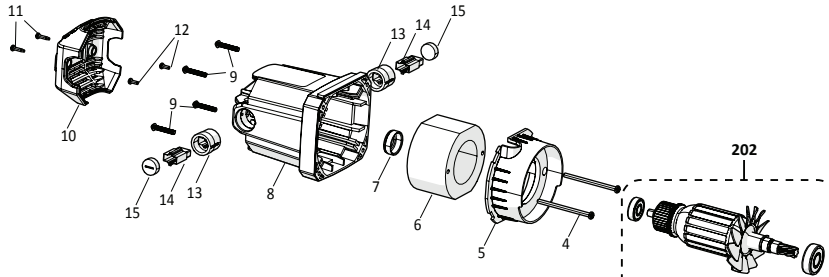
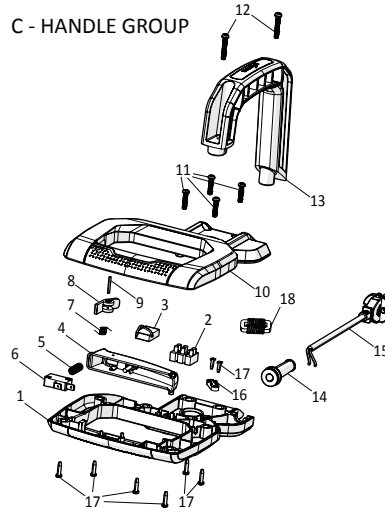


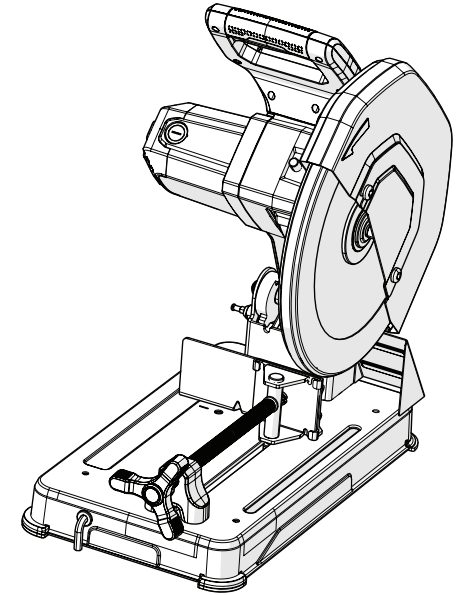
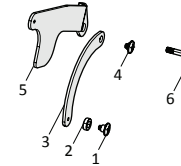
D - MOTOR GROUP



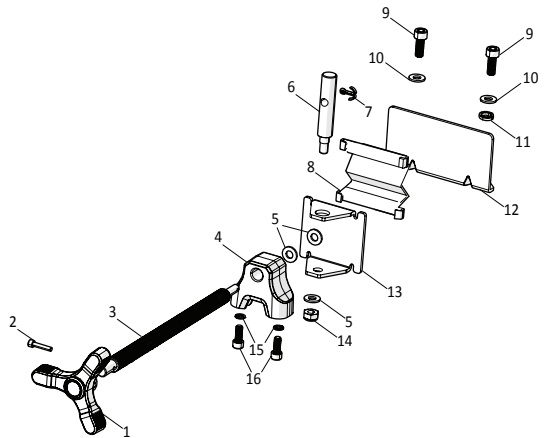
C - HANDLE GROUP



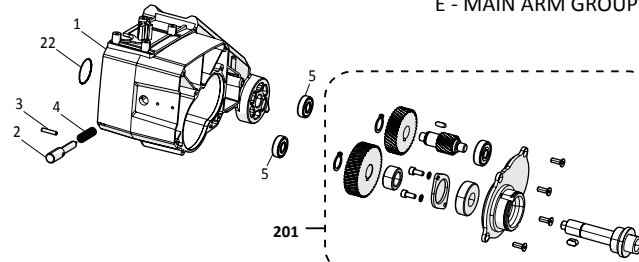
B - LINKAGE GROUP



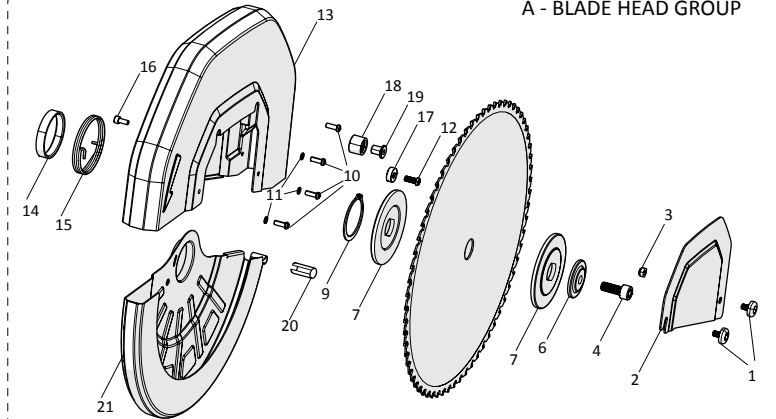
F - CLAMP GROUP



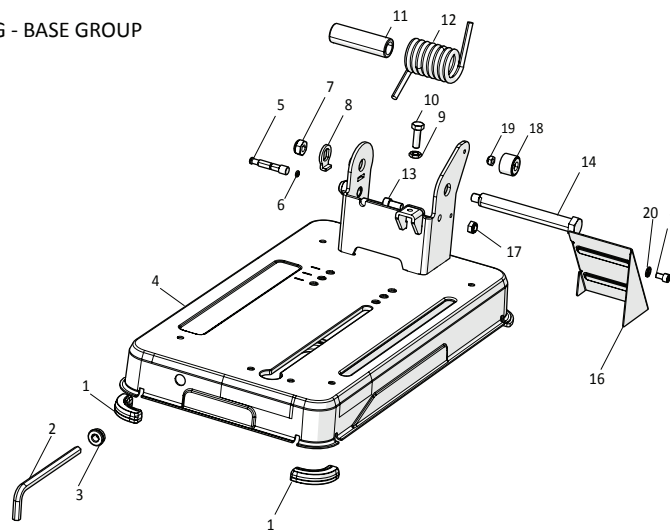
E - MAIN ARM GROUP



A - BLADE HEAD GROUP



G - BASE GROUP



R355
CPS

evolution[®]
evolutionpowertools.com

Service Parts List

V: 083-0006.01

355mm Multi-Material Cutting Chop Saw

230V
AU

No.	Description	Part Code	Qty	No.	Description	Part Code	Qty	No.	Description	Part Code	Qty
A01	Arbour Cover Screw	083-0101	2	E01	Arm	083-0160	1				
A02	Arbour Cover	083-0102	1	E02	Arbour Locking Pin	083-0161	1				
A03	Locking Nut M6	F-NSH-M6-ST-BO	1	E03	Roller Pin 4x20	F-SDL-4-20-ST-BO	1				
A04	Socket Cap Screw M10x25	F-SHCS-M10-25-ST-BO	1	E04	Locking Pin Spring	083-0162	1				
A06	Blade Washer	083-0103	1	E05	Ball Bearing 6000 HS	F-B-6000-2Z	2				
A07	Flange 89	083-0104	2	E22	Rubber Bearing Ring	083-0196	1				
A09	Circlip φ48	F-CCEXT-48-120-ST-BO	1	E201	Gearbox Assembly (R355)	083-0055	1				
A10	Pozi Pan Head Screw M5x14	F-SPHPZ-M5-14-ST-BO	4								
A11	Spring Washer φ5	F-SWA-M5-ST-BO	3	F01	Clamp Bar Handle Orange	083-0172	1				
A12	Pozi Pan Head Screw M6x12	F-SPHPZ-M6-12-ST-BO	1	F02	Pozi Pan Head Screw M5x25	F-SPHPZ-M5-25-ST-BO	1				
A13	Blade Head Assembly 355	083-0105	1	F03	Clamp Bar - 16mm/Regular	083-0173	1				
A14	Moving Guard Spring Spacer 355	083-0106	1	F04	Clamp Bar Support - STD	083-0174	1				
A15	Moving Guard Spring	083-0107	1	F05	Washer φ10xφ20x2	F-W-M10-ST-BO	3				
A16	Socket Cap Screw M5x12	F-SHCS-M5-12-ST-BO	1	F06	Moving Vice Spindle - STD	083-0175	1				
A17	Ball Bearing 606	F-B-606-2Z	1	F07	Split Pin 3x25	083-0176	1				
A18	Bump Stop	083-0108	1	F08	V-Vice - Rage	083-0180	1				
A19	Bump Stop Fixing	083-0109	1	F09	Socket Cap Screw M10x25	F-SHCS-M10-25-ST-BO	2				
A20	Slider Cap	083-0110	1	F10	Washer φ10xφ23x4	083-0197	2				
A21	Moving Guard Assembly 355	083-0111	1	F11	Screw Spacer	083-0181	1				
				F12	Fence - Pressed	083-0182	1				
B01	Linkage Shoulder Screw Upper	083-0115	1	F13	Moving Vice Jaw - Pressed	083-0183	1				
B02	Screw Spacer	083-0116	1	F14	Locking Nut M10	F-NNIF-M10-ST-BO	1				
B03	Small Linkage	083-0117	1	F15	Spring Washer φ8	F-SWA-M8-ST-BO	2				
B04	Linkage Shoulder Screw Middle	083-0118	1	F16	Socket Cap Screw M8x20	F-SHCS-M8-20-ST-BO	2				
B05	Main Linkage	083-0119	1								
B06	Linkage Shoulder Screw Lower	083-0120	1	G01	Rubber Foot 083	083-0184	3				
				G02	Allen Key 5=8	F-HEXKEY-M6-ST-BO	1				
C01	Main Handle Lower	083-0121	1	G03	Rubber Grommet	083-0185	1				
C02	Terminal Block	083-0122	1	G04	Base Assembly	083-0186	1				
C03	Capacitor 220-240V	083-0123	1	G05	Head Lock-Down Pin 083	083-0187	1				
C04	Main Trigger Orange	083-0125	1	G06	O Ring 4.5x1.8	083-0188	1				
C05	Main Trigger Spring	083-0126	1	G07	Locking Nut M10	F-NNIF-M10-ST-BO	1				
C06	Switch	083-0127	1	G08	Shaft Stop Washer	083-0189	1				
C07	Trigger Lock Spring	083-0128	1	G09	Hex Nut M8	F-NSF-M8-ST-BO	1				
C08	Lock Trigger	083-0129	1	G10	Hex Screw M8x25	F-HSS-M8-ST-BO	1				
C09	Trigger Lock Pin	083-0130	1	G11	Main Torsion Spring Spacer	083-0190	1				
C10	Main Handle Upper	083-0131	1	G12	Main Torsion Spring 083	083-0191	1				
C11	Pozi Pan Head Screw M5x30 w/ Washer	F-SPHPZ-M5-30-ST-BO	4	G13	Socket Cap Screw M8x16	F-SHCS-M8-16-ST-BO	1				
C12	Pozi Pan Head Screw M5x30 w/ Washer	F-SPHPZ-M5-30-ST-BO	2	G14	Arm Pivot Shaft 083	083-0192	1				
C13	Carry Handle	083-0132	1	G15	Socket Cap Screw M6x10	F-SHCS-M6-10-ST-BO	1				
C14	Cable Sleeve Small	083-0133	1	G16	Chip Deflector - Pressed (#G16)	083-0195	1				
C15	Cable AU 220-240V/R2m	083-0139	1	G17	Locking Nut M8	F-NNIF-M8-ST-BO	1				
C16	Cable Strain Clamp	083-0140	1	G18	Main Linkage Spacer	083-0193	1				
C17	Pozi Pan Head Tapping Screw ST4x16	F-TFPX-4-16-ST-BO	8	G19	Locking Nut M6	F-NNIF-M6-ST-BO	1				
C18	RF Inductor Coil	083-0195	1	G20	Spring Washer φ6	F-SWA-M6-ST-BO	1				
D04	Pozi Pan Head Tapping Screw ST5x75	F-TFPX-5-75-ST-BO	2								
D05	Air Baffle 55	083-0145	1								
D06	Stator 55/220-240V 2200W	083-0147	1								
D07	Ball Bearing Cap	053-0270	1								
D08	Motor Housing	083-0150	1								
D09	Pozi Pan Head Screw M5x30 w/ Washer	F-SPHPZ-M5-30-ST-BO	4								
D10	End Cap Orange	083-0151	1								
D11	Pozi Pan Head Tapping Screw ST4x16	F-TFPX-4-16-ST-BO	2								
D12	Pozi Pan Head Screw M4x10	F-SPHPZ-M4-10-ST-BO	2								
D13	Brush Holder	083-0152	2								
D14	Carbon Brush 220-240V	083-0153	2								
D15	Brush Holder Cover	083-0155	2								
D202	Armature 55 Assembly 230V EU/UK/AUS	083-0051	1								



Service Parts List

V: 083-0006.01

355mm Multi-Material Cutting Chop Saw

230V
AU