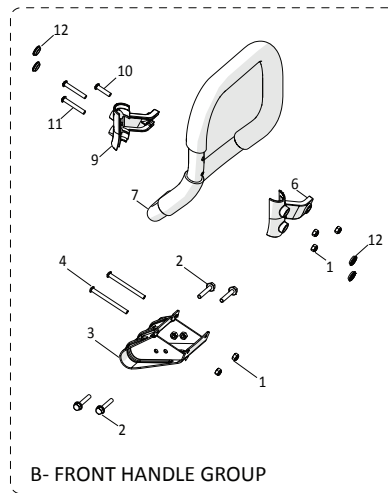
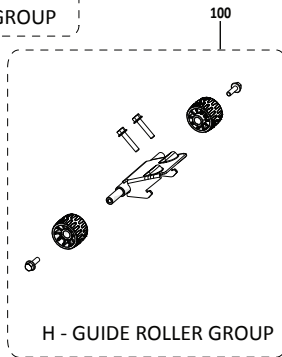
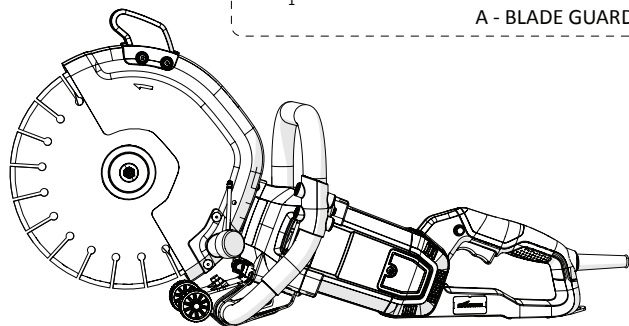
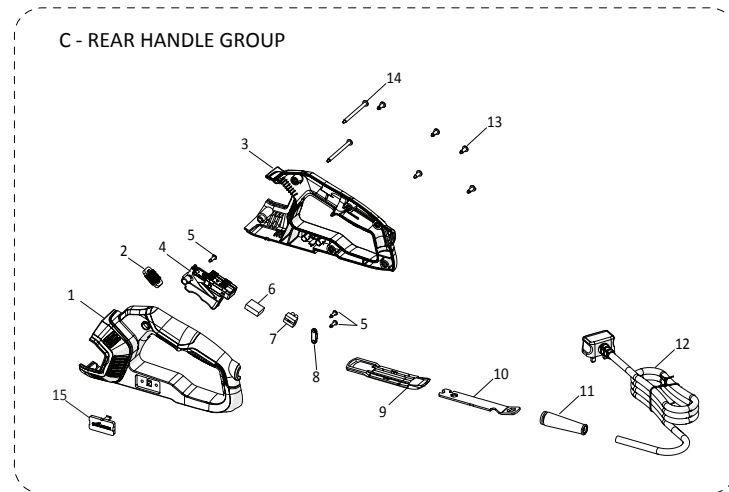
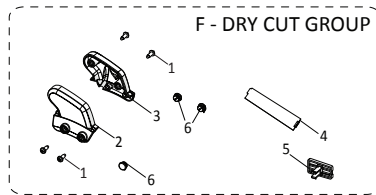
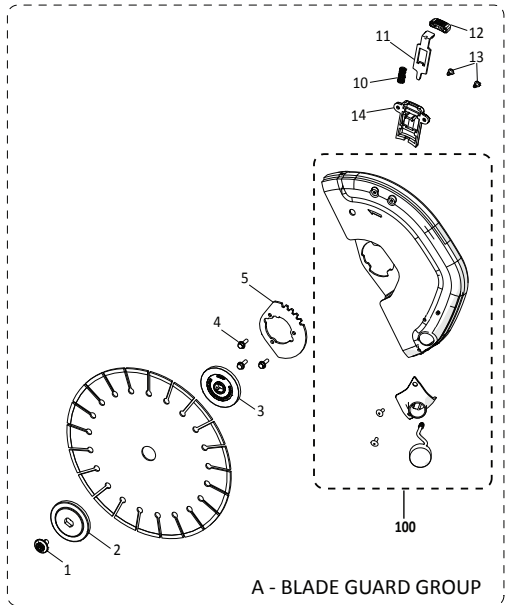
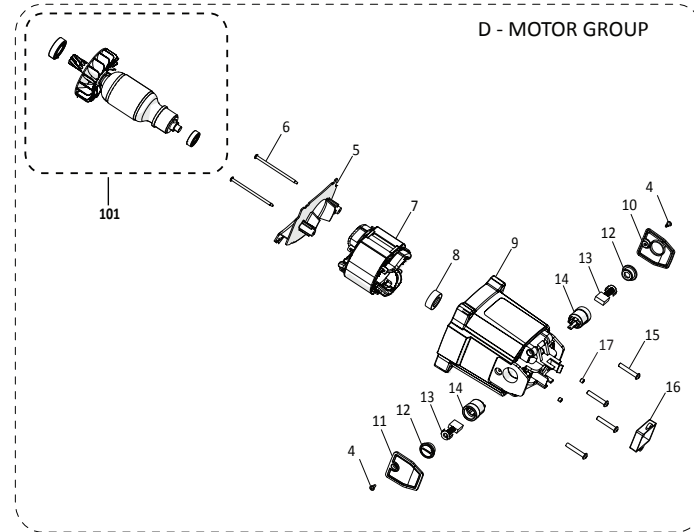
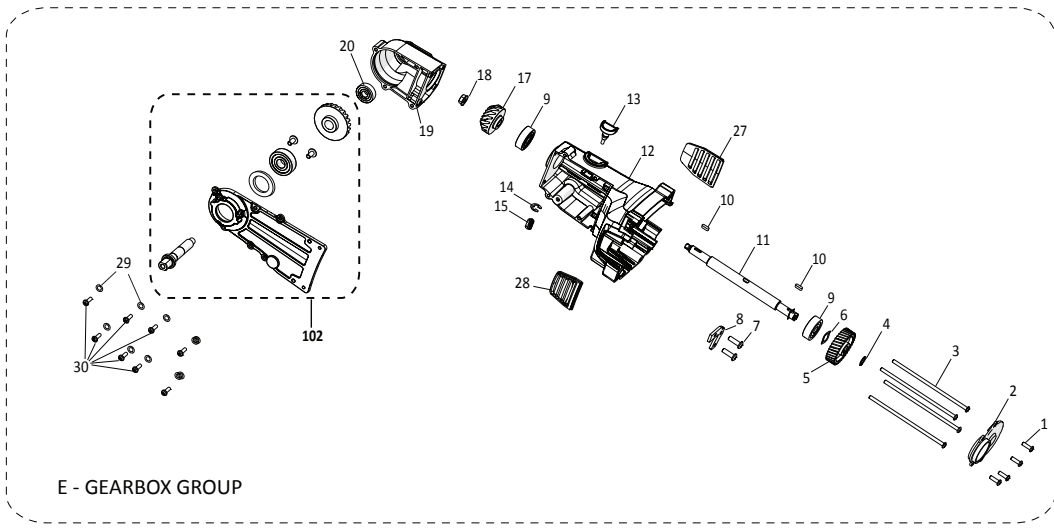


R300

DCT



| | | |
|---------------------------|--------------------|-------------------|
| Service Parts List | V: 012-0001 | 230V UK |
| 300mm Disc Cutter | | |

| No. | Description | Part Code | Qty | No. | Description | Part Code | Qty | No. | Description | Part Code | Qty |
|------|---|----------------------|-----|------|---|----------------------|-----|-----|-------------|-----------|-----|
| A01 | Blade Bolt | 012-0211 | 1 | E09 | 6301-2z Bearing Ball 37od 12id 12w | F-B-6301-2Z | 2 | | | | |
| A02 | Flange Outer 70mm Pressed | 012-0203 | 1 | E10 | Key Woodruff 4x4x12 | 012-0197 | 2 | | | | |
| A03 | Flange Inner 70mm Pm Uk/Eu (20/22.2mm) | 012-0204 | 1 | E11 | Drive Shaft | 012-0111-A2 | 1 | | | | |
| A04 | Screw Hex Flanged Steel Bo M5 16mm | F-HFS-M5-16-ST-BO | 3 | E12 | Helical Gearbox | 012-0101-A1 | 1 | | | | |
| A05 | 12" Blade Guard Retaining Plate | 012-0119-A2 | 1 | E13 | Arbor Lock Pin | 012-0112-A2 | 1 | | | | |
| A10 | 12" Blade Guard Rotation Lock Spring | 012-0122-A1 | 1 | E14 | E-Clip External Heavy Duty 10mm | F-ECLIP-10-080-ST-BO | 1 | | | | |
| A11 | 12" Blade Guard Rotation Lock Tab | 012-0121-A2 | 1 | E15 | Arbor Lock Spring | 012-0113-A1 | 1 | | | | |
| A12 | 12" Blade Guard Rotation Lock Knob | 012-0124-A1 | 1 | E17 | Bevel Pinion | 012-0107-A1 | 1 | | | | |
| A13 | Screw Button Self-Tapping Torx Steel Bo M5 10mm | F-TFPHT-5-10-ST-BO | 2 | E18 | Nut Full Flanged Serated Steel Bo M8 | F-NFS-M8-ST-BO | 1 | | | | |
| A14 | 12" Blade Guard Rotation Lock Cover | 012-0123-A3 | 1 | E19 | Bevel Gearbox | 012-0102-A1 | 1 | | | | |
| A100 | 12" Guard Assembly | 012-0055 | 1 | E20 | 6200 Bearing Ball 30od 10id 09w | F-B-6200-2Z | 1 | | | | |
| | | | | E27 | Front Vent Left | 012-0207 | 1 | | | | |
| B01 | Nut Full Nyloc Steel Bo M6 | F-NNIF-M6-ST-BO | 5 | E28 | Front Vent Right | 012-0208 | 1 | | | | |
| B02 | Screw Hex Flanged Steel Bo M6 16mm | F-HFS-M6-16-ST-BO | 4 | E29 | Spring Washer M5 | F-SWA-M5-ST-BO | 8 | | | | |
| B03 | Skid Plate | 012-0120-A2 | 1 | E30 | Screw Button Torx Steel Bo M5 16mm | F-SPHT-M5-16-ST-BO | 8 | | | | |
| B04 | Screw Button Torx Steel Bo M6 70mm | F-SPHT-M6-70-ST-BO | 2 | E102 | Bevel Gearbox Assembly | 012-0060 | 1 | | | | |
| B06 | Front Bale Handle Support Bracket Back | 012-0166-A1 | 1 | | | | | | | | |
| B07 | Front Bale Handle W / Overmould | 012-0181 | 1 | F01 | Screw Button Self-Tapping Torx Steel Bo M5 15mm | F-TFPHT-M5-15-ST-BO | 4 | | | | |
| B09 | Front Bale Handle Support Bracket Front | 012-0165-A1 | 1 | F02 | None Water Outlet Handle Lh | 012-0177-A1 | 1 | | | | |
| B10 | Screw Cap Torx Steel Bo M6 25mm | F-SPHT-M6-25-ST-BO | 1 | F03 | None Water Outlet Handle Rh | 012-0178-A1 | 1 | | | | |
| B11 | Screw Cap Torx Steel Bo M6 40mm | F-SPHT-M6-40-ST-BO | 2 | F04 | Motor Housing Water Guide Blanking Plate | 012-0157-A1 | 1 | | | | |
| B12 | Front Handle Bracket Screw Cap | 012-0209 | 4 | F05 | Rear Handle Lh Water Blanking Plate | 012-0158-A1 | 1 | | | | |
| | | | | F06 | None Water Bung | 012-0206 | 3 | | | | |
| C01 | Rear Handle Rh | 012-0153-1-A1 | 1 | | | | | | | | |
| C02 | Rf Choke | 012-0131 | 1 | H100 | Trolley Assembly | 012-0213 | 1 | | | | |
| C03 | Rear Handle Lh | 012-0152-1-A1 | 1 | | | | | | | | |
| C04 | Trigger Switch | 012-0135 | 1 | | | | | | | | |
| C05 | Screw Button Self-Tapping Torx Steel Bo M4 15mm | F-TFPHT-M4-15-ST-BO | 3 | | | | | | | | |
| C06* | Capacitor 220-240v | 012-0132 | 1 | | | | | | | | |
| C07 | Wire Block Connector | 012-0136 | 1 | | | | | | | | |
| C08 | Wire Restraint Saddle | 012-0174-A1 | 1 | | | | | | | | |
| C09 | Tool Storage Housing | 012-0175-A1 | 1 | | | | | | | | |
| C10 | Spanner | 012-0176-A1 | 1 | | | | | | | | |
| C11* | Cable Strain Relief | 012-0180-A1 | 1 | | | | | | | | |
| C12* | Cable Uk 230v 3m | 012-0137 | 1 | | | | | | | | |
| C13 | Screw Button Self-Tapping Torx Steel Bo M5 15mm | F-TFPHT-M5-15-ST-BO | 5 | | | | | | | | |
| C14 | Screw Button Self-Tapping Torx Steel Bo M5 70mm | F-TFPHT-M5-70-ST-BO | 2 | | | | | | | | |
| C15 | Rear Handle Lh Water Blanking Plate | 012-0158-A1 | 1 | | | | | | | | |
| | | | | | | | | | | | |
| D04 | Screw Button Self-Tapping Torx Steel Bo M4 10mm | F-TFPHT-4-10-ST-BO | 2 | | | | | | | | |
| D05 | Motor Fan Baffle | 012-0130-A1 | 1 | | | | | | | | |
| D06 | Screw Button Self-Tapping Torx Steel Bo M4 70mm | F-TFPHT-M4-70-ST-BO | 2 | | | | | | | | |
| D07* | Field Coil 2400w 220-240v | 012-0195 | 1 | | | | | | | | |
| D08 | Rear Motor Bearing Bush | 012-0173-A1 | 1 | | | | | | | | |
| D09 | Motor Housing | 012-0151-A1 | 1 | | | | | | | | |
| D10 | Brush Cover Cap Lh | 012-0154-A1 | 1 | | | | | | | | |
| D11 | Brush Cover Cap Rh | 012-0155-A1 | 1 | | | | | | | | |
| D12 | Brush Holder Screw Cap | 010-0160 | 2 | | | | | | | | |
| D13* | Carbon Brush 220-240v | 012-0172-A1 | 2 | | | | | | | | |
| D14 | Brush Holder | 012-0168-A1 | 2 | | | | | | | | |
| D15 | Screw Button Torx Steel Bo M6 25mm | F-SPHT-M6-25-ST-BO | 4 | | | | | | | | |
| D16* | Soft Start Pcb 220-240v | 012-0148 | 1 | | | | | | | | |
| D17 | Set Screw Flat Point Steel Bo M6 8mm | F-SSCFP-M6-8-ST-BO | 2 | | | | | | | | |
| D101 | 2400w Armature Assembly 230v Eu/Uk/Aus | 012-0050 | 1 | | | | | | | | |
| | | | | | | | | | | | |
| E01 | Screw Countersunk Torx Steel Bo M5 16mm | F-SCHT-M5-16-ST-BO | 4 | | | | | | | | |
| E02 | Helical Gearbox Cover | 012-0103-A1 | 1 | | | | | | | | |
| E03 | Screw Button Torx Steel Bo M5 140mm | F-SPHT-M5-140-ST-BO | 4 | | | | | | | | |
| E04 | Circlip External Heavy Duty 12mm | F-CCEXT-12-100-ST-BO | 1 | | | | | | | | |
| E05 | Helical Gear | 012-0106-A1 | 1 | | | | | | | | |
| E06 | Washer Wave 12.5id 1.5h | F-WW-M12-ST-BO | 1 | | | | | | | | |
| E07 | Screw Button Torx Steel Bo M6 16mm | F-SPHT-M6-16-ST-BO | 2 | | | | | | | | |
| E08 | Front Handle Clamp Mount Bracket | 012-0127-A3 | 1 | | | | | | | | |

| | | |
|---------------------------|--------------------|--------------------|
| Service Parts List | V: 012-0001 | 230V UK |
| 300mm Disc Cutter | | |