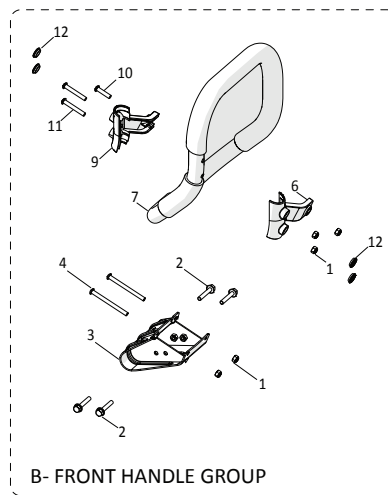
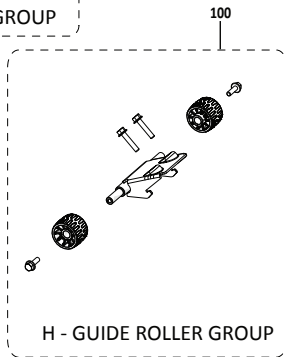
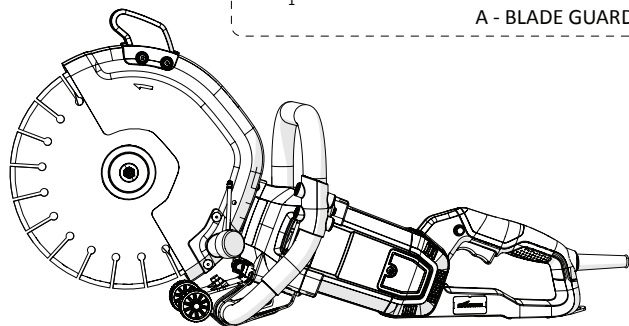
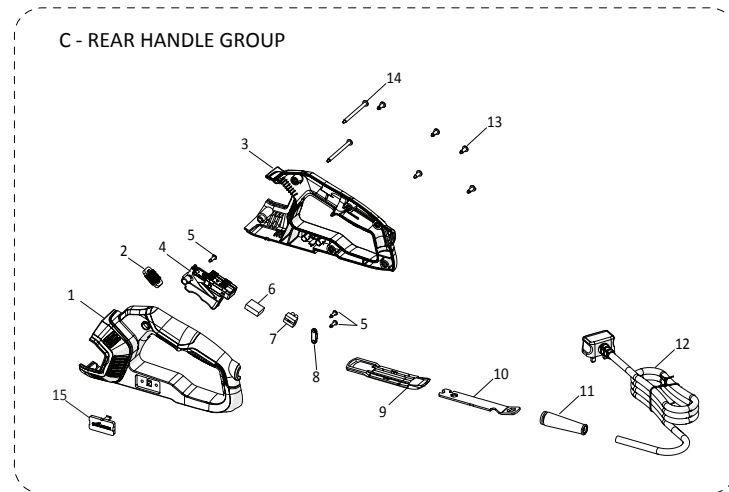
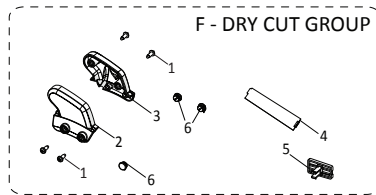
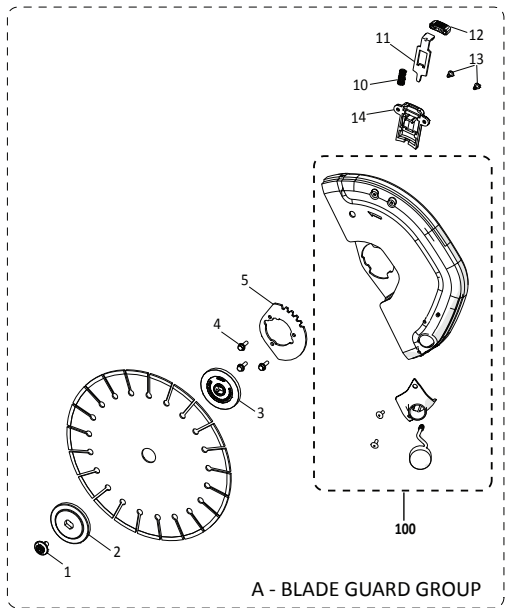
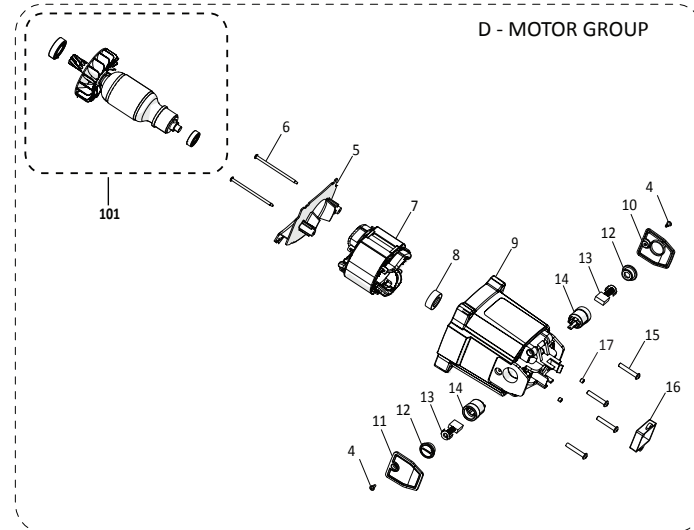
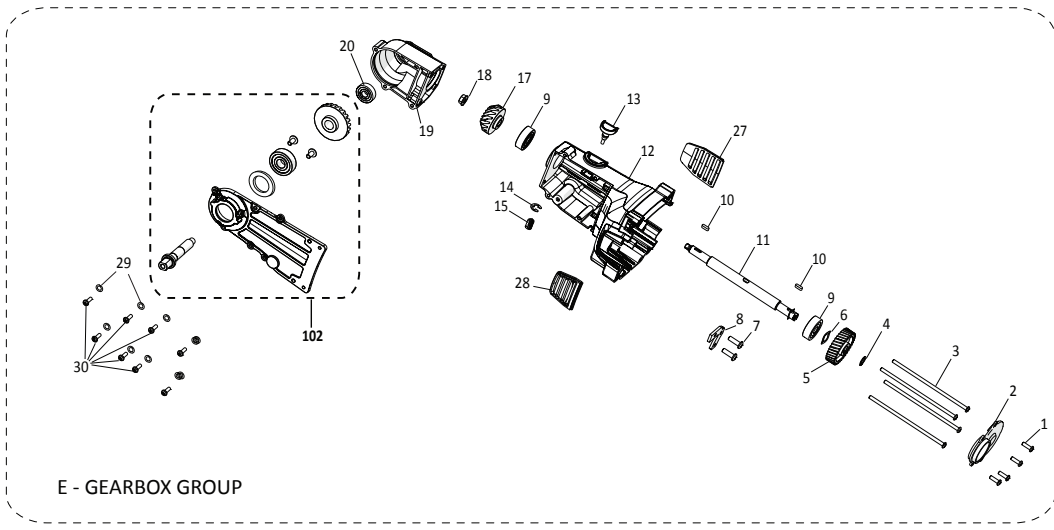


R300

DCT



Service Parts List	V: 012-0002	110V UK
300mm Disc Cutter		

No.	Description	Part Code	Qty	No.	Description	Part Code	Qty	No.	Description	Part Code	Qty
A01	Blade Bolt	012-0211	1	E09	6301-2z Bearing Ball 37od 12id 12w	F-B-6301-2Z	2				
A02	Flange Outer 70mm Pressed	012-0203	1	E10	Key Woodruff 4x4x12	012-0197	2				
A03	Flange Inner 70mm Pm Uk/Eu (20/22.2mm)	012-0204	1	E11	Drive Shaft	012-0111-A2	1				
A04	Screw Hex Flanged Steel Bo M5 16mm	F-HFS-M5-16-ST-BO	3	E12	Helical Gearbox	012-0101-A1	1				
A05	12" Blade Guard Retaining Plate	012-0119-A2	1	E13	Arbor Lock Pin	012-0112-A2	1				
A10	12" Blade Guard Rotation Lock Spring	012-0122-A1	1	E14	E-Clip External Heavy Duty 10mm	F-ECLIP-10-080-ST-BO	1				
A11	12" Blade Guard Rotation Lock Tab	012-0121-A2	1	E15	Arbor Lock Spring	012-0113-A1	1				
A12	12" Blade Guard Rotation Lock Knob	012-0124-A1	1	E17	Bevel Pinion	012-0107-A1	1				
A13	Screw Button Self-Tapping Torx Steel Bo M5 10mm	F-TFPHT-5-10-ST-BO	2	E18	Nut Full Flanged Serated Steel Bo M8	F-NFS-M8-ST-BO	1				
A14	12" Blade Guard Rotation Lock Cover	012-0123-A3	1	E19	Bevel Gearbox	012-0102-A1	1				
A100	12" Guard Assembly	012-0055	1	E20	6200 Bearing Ball 30od 10id 09w	F-B-6200-2Z	1				
				E27	Front Vent Left	012-0207	1				
B01	Nut Full Nylco Steel Bo M6	F-NNIF-M6-ST-BO	5	E28	Front Vent Right	012-0208	1				
B02	Screw Hex Flanged Steel Bo M6 16mm	F-HFS-M6-16-ST-BO	4	E29	Spring Washer M5	F-SWA-M5-ST-BO	8				
B03	Skid Plate	012-0120-A2	1	E30	Screw Button Torx Steel Bo M5 16mm	F-SPHT-M5-16-ST-BO	8				
B04	Screw Button Torx Steel Bo M6 70mm	F-SPHT-M6-70-ST-BO	2	E102	Bevel Gearbox Assembly	012-0060	1				
B06	Front Bale Handle Support Bracket Back	012-0166-A1	1								
B07	Front Bale Handle W / Overmould	012-0181	1	F01	Screw Button Self-Tapping Torx Steel Bo M5 15mm	F-TFPHT-M5-15-ST-BO	4				
B09	Front Bale Handle Support Bracket Front	012-0165-A1	1	F02	None Water Outlet Handle Lh	012-0177-A1	1				
B10	Screw Cap Torx Steel Bo M6 25mm	F-SPHT-M6-25-ST-BO	1	F03	None Water Outlet Handle Rh	012-0178-A1	1				
B11	Screw Cap Torx Steel Bo M6 40mm	F-SPHT-M6-40-ST-BO	2	F04	Motor Housing Water Guide Blanking Plate	012-0157-A1	1				
B12	Front Handle Bracket Screw Cap	012-0209	4	F05	Rear Handle Lh Water Blanking Plate	012-0158-A1	1				
				F06	None Water Bung	012-0206	3				
C01	Rear Handle Rh	012-0153-1-A1	1								
C02	Rf Choke	012-0131	1	H100	Trolley Assembly	012-0213	1				
C03	Rear Handle Lh	012-0152-1-A1	1								
C04	Trigger Switch	012-0135	1								
C05	Screw Button Self-Tapping Torx Steel Bo M4 15mm	F-TFPHT-M4-15-ST-BO	3								
C06*	Capacitor 110v	012-0133	1								
C07	Wire Block Connector	012-0136	1								
C08	Wire Restraint Saddle	012-0174-A1	1								
C09	Tool Storage Housing	012-0175-A1	1								
C10	Spanner	012-0176-A1	1								
C11*	Cable Strain Relief	012-0180-A1	1								
C12*	Cable Uk 110v 3m	012-0138	1								
C13	Screw Button Self-Tapping Torx Steel Bo M5 15mm	F-TFPHT-M5-15-ST-BO	5								
C14	Screw Button Self-Tapping Torx Steel Bo M5 70mm	F-TFPHT-M5-70-ST-BO	2								
C15	Rear Handle Lh Water Blanking Plate	012-0158-A1	1								
D04	Screw Button Self-Tapping Torx Steel Bo M4 10mm	F-TFPHT-4-10-ST-BO	2								
D05	Motor Fan Baffle	012-0130-A1	1								
D06	Screw Button Self-Tapping Torx Steel Bo M4 70mm	F-TFPHT-M4-70-ST-BO	2								
D07*	Field Coil 2000w/15a 110-120v	012-0196	1								
D08	Rear Motor Bearing Bush	012-0173-A1	1								
D09	Motor Housing	012-0151-A1	1								
D10	Brush Cover Cap Lh	012-0154-A1	1								
D11	Brush Cover Cap Rh	012-0155-A1	1								
D12	Brush Holder Screw Cap	010-0160	2								
D13*	Carbon Brush 110-120v	012-0189	2								
D14	Brush Holder	012-0168-A1	2								
D15	Screw Button Torx Steel Bo M6 25mm	F-SPHT-M6-25-ST-BO	4								
D16*	Soft Start Pcb 110-120v	012-0149	1								
D17	Set Screw Flat Point Steel Bo M6 8mm	F-SSCFP-M6-8-ST-BO	2								
D101	2000w/15a Armature Assembly 110-120v Uk/Usa	012-0051	1								
E01	Screw Countersunk Torx Steel Bo M5 16mm	F-SCHT-M5-16-ST-BO	4								
E02	Helical Gearbox Cover	012-0103-A1	1								
E03	Screw Button Torx Steel Bo M5 140mm	F-SPHT-M5-140-ST-BO	4								
E04	Circlip External Heavy Duty 12mm	F-CCEXT-12-100-ST-BO	1								
E05	Helical Gear	012-0106-A1	1								
E06	Washer Wave 12.5id 1.5h	F-WW-M12-ST-BO	1								
E07	Screw Button Torx Steel Bo M6 16mm	F-SPHT-M6-16-ST-BO	2								
E08	Front Handle Clamp Mount Bracket	012-0127-A3	1								

Service Parts List

V: 012-0002

300mm Disc Cutter

**110V
UK**