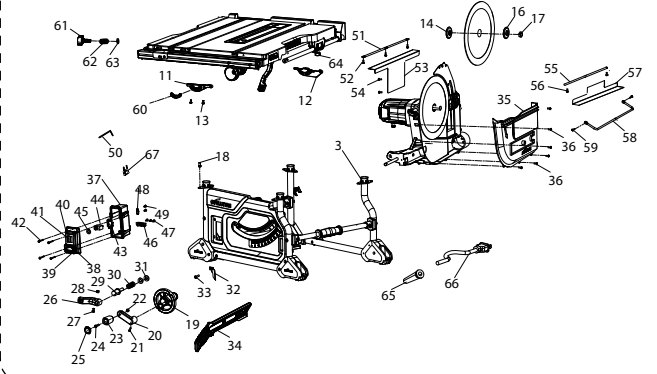
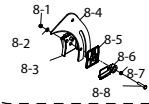
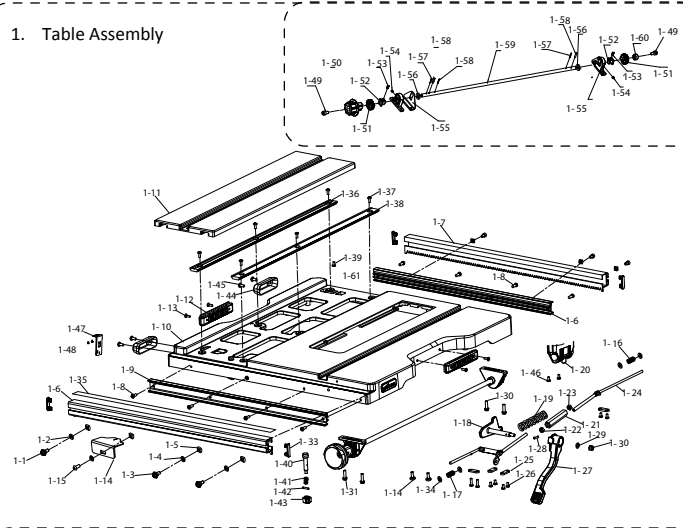


Main Assembly

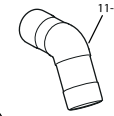
8. Riving Knife



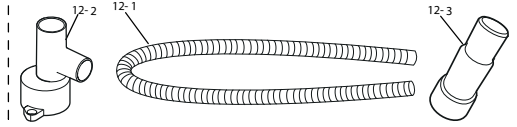
1. Table Assembly



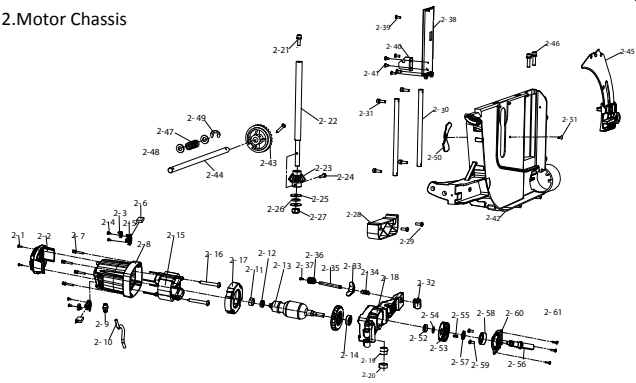
11. Dust Port Elbow



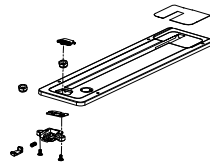
12. Dust collection Hose Kit



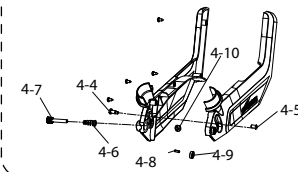
2. Motor Chassis



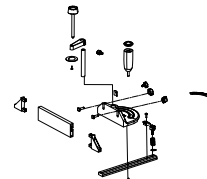
5. Throat Plate



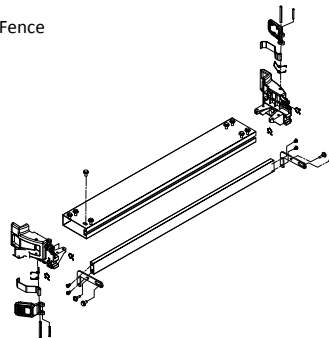
4. Blade Guard



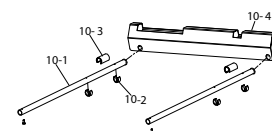
6. Mitre Gauge



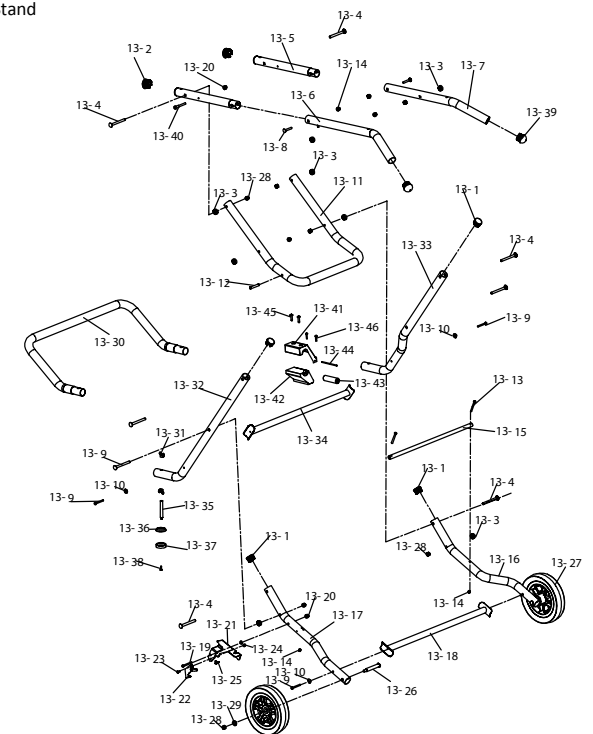
7. Fence



9. Outfeed support



10. Stand



No.	Part Code	Description	Qty	No.	Part Code	Description	Qty	No.	Part Code	Description	Qty
3	119-1003	MACHINE FRAME ASSY	1	1-6	119-0122	FRONT RAIL	1	2-7	F-SPHPZ-M5-35-ST-BO	MOTOR HOUSING COMBINATION SCREW	4
11	119-0112-1	SAW BRACKET TRUNIONS-FRONT	1	1-7	119-0119	REAR RAIL	1	2-8	119-0134	MOTOR HOUSING	1
12	119-0112-2	SAW BRACKET TRUNIONS-REAR	1	1-8	F-SBHS-M10-25-ST-BO	SCREW	1	2-9	119-0277	CABLE TENSIONER 6P3-4	1
13	F-SHCS-M6-12-ST-BO	SCREW	4	1-9	119-0242	RAIL GUIDE FRONT & RAIL	2	2-10	119-0319	MOTOR CABLE H05VV4x1MM2x0.6M	1
14	119-0144	INNER FLANGE	1	1-10	119-0117	TABLE	1	2-11	119-0137	BEARING SLEEVE	1
16	119-0146	OUTER FLANGE	1	1-11	119-0100	SLIDING PUSH TABLE	1	2-12	F-B-608	BEARING 608	1
17	F-SHCS-M8-18-ST-BO	ARBOR BOLT	1	1-12	119-0266	CARRY HANDLE PLASTIC	2	2-13	119-0138	ROTOR 230V 1800W	1
18	F-SHCS-M5-16-ST-BO	SOCKET HEAD CAP SCREW	8	1-13	F-SCHPZ-M4-10-ST-BO	SCREW	4	2-14	F-B-601	BEARING 601	1
19	119-0186	HAND WHEEL	1	1-14	119-0249	R&P SCALE INDICATOR	1	2-15	119-0135	STATOR 230V 1800W WITH EBREAK	1
20	119-0185	KNOB HANDLE SUPPORT	1	1-15	F-SBHS-M6-10-ST-BO	SCREW	1	2-16	F-TFPX-M5-36-ST-BO	SCREW	2
21	F-SPHPZ-M5-16-ST-BO	PANHEAD SCREW M5X16	1	1-16	119-0267	GUIDE RAIL LOCK SPRING-1	1	2-17	119-0136	STATOR PROTECTOR	1
22	F-NNIT-M6-ST-BO	ANTI-LOOSE NUT M6	1	1-17	119-0268	GUIDE RAIL LOCK SPRING-2	1	2-18	119-0139	GEAR CASE CASTING	1
23	119-0184	KNOB-HANDLE WHEEL	1	1-18	119-0269	R&P FENCE LOCK BAR FRONT	1	2-19	119-0278	DUAL THREAD NUT	1
24	119-251	KNOW LOCK SCREW M6	1	1-19	119-0270	R&P FENCE COMPRESSING SPRING	1	2-20	119-0279	DUAL THREAD NUT SEAT	1
25	119-0184-1	KNOB CAP-HANDLE WHEEL	1	1-20	119-0271	OUTFEED SUPPORT BASE	2	2-21	F-SHCS-M5-14-ST-BO	COMBINATION SCREW + WASHER	1
26	119-0189	BEVEL LOCKING KNOB	1	1-21	119-0272	HEX STUD R&P FENCE LOCK	1	2-22	119-0161	ELEVATION DRIVE SHAFT	1
27	F-SPHPZ-M5-16-ST-BO	PANHEAD COMBINATION SCREW	1	1-22	F-NSH-M6-ST-BO	NUT	1	2-23	119-0159	BEVEL GEAR B	2
28	F-NSF-M5-ST-BO	ANTI-LOOSE NUT M5	1	1-23	F-NFS-M6-ST-BO	NUT	1	2-24	F-TFPX-M4.2-22-ST-BO	SCREW	2
29	119-0188	BEVEL LOCKING SCREW	1	1-24	119-0118	R&P FENCE LOCK BAR REAR	1	2-25	F-W-M8-ST-BZP	FLAT WASHER	2
30	119-0187	SPRING	1	1-25	119-0115	LOCK BAR MOUNTING PLATE	4	2-26	119-0280	RUBBER GASKET	1
31	F-W-M12-ST-BO	WASHER	2	1-26	F-SPHPZ-M4-12-BO	SCREW	8	2-27	F-NNIT-M8-ST-BZP	NUT	1
32	119-0183	BEVEL POINTER	1	1-27	119-0114	EXTENTION TABLE LOCKING HANDLE	1	2-28	119-0281	STOPPER ELEVATION BLOCK	1
33	F-SPHPZ-M5-10-ST-BO	WASHER	1	1-28	F-SDL-4-18-ST-BO	SPRING DOWEL	1	2-29	F-SPHPZ-M5-10-ST-BO	SCREW	2
34	119-0178	PUSH STICK	1	1-29	F-W-M6.5-ST-BO	WASHER	1	2-30	119-0147	ELEVATION GUIDE SHAFT	2
35	119-0155	SAW BLADE COVER	1	1-30	F-NNIT-M6-ST-BO	NUT	1	2-31	F-SHCS-M5-20-ST-BO	SCREW	4
36	F-SFHPZ-M4-12-ST-BZP	SCREW	6	1-31	F-SBHS-M10-25-ST-BO	COMBINATION SCREW	4	2-32	119-0282	ANGLE ADJUST BLOCK	1
37	119-0166	SWITCH REAR COVER	1	1-32	F-W-M10-ST-BZP	WASHER	2	2-33	119-0283	WING KNOB	1
38	119-0163	SWITCH FRONT COVER	1	1-33	119-0272	RAIL CAP F&R	4	2-34	119-0284	TENSION ADJUST SPRING	1
39	119-0162	EMERGENCY STOP PADDLE	1	1-34	119-0273	WASHER	2	2-35	119-0285	TENSION ADJUST ROD	1
40	119-0252	DOWEL STOPPER PADDLE	1	1-35	119-0123	UK, EU, AUS R&P FENCE SCALE	1	2-36	119-0286	TENSION ADJUST KNOB	1
41	119-0165-1	SWITCH UK & EU 230V	1	1-36	119-0102	SLIDING PUSH TABLE RAILS A	1	2-37	F-SPHPZ-M4x12-ST-BO	COMBINATION SCREW	1
42	F-SPHPZ-M4-32-ST-BO	SCREW	4	1-37	F-SPHPZ-M5-12-ST-BO	SCREW	6	2-38	119-0150	RIVING KNIFE CASING	1
43	119-0253	SOFT START PCBA 110-240V	1	1-38	119-0102-1	SLIDING PUSH TABLE RAILS B	1	2-39	F-SPHPZ-M4-12-ST-BO	SCREW	4
44	119-0254	OVERLOAD PROTECTOR 230V	1	1-39	F-SHCS-M6-14-ST-BO	SCREW	1	2-40	119-0287	FEATHER BOARD HOLDER-120V	1
45	119-0256	CAP OVERLOAD PROTECTOR	1	1-40	119-0109	SLIDING TABLE LOCK PIN	1	2-41	F-TFPX-M4.2-10-ST-BO	SCREW	2
46	119-0257	CABLE CLAMP SEAT	1	1-41	119-0110	LOCK PIN SPRING	1	2-42	119-0156	BLADE GUARD	1
47	F-TFPX-4-16-ST-BO	PANHEAD TAPPING SCREW ST4.2X16	3	1-42	F-SP-2.5-20-ST-BO	PIN	1	2-43	119-0158	BEVEL GEAR A	1
48	119-0258	CABLE CLAMP	1	1-43	119-0111	SLIDING TABLE LOCK PIN KNOB	1	2-44	119-0157	HEIGHT ADJUSTMENT HAFT	1
49	F-TFPX-4-13-ST-BO	PANHEAD TAPPING SCREW ST4.2X13	2	1-44	119-0106	TABLE TOP BUMPER FEET	2	2-45	119-1008	RIVING KNIFE ASSEMBLY	1
50	119-0177	HEX KEY S3-S5	1	1-45	F-SPHPZ-M5-20-BO	SCREW	4	2-46	F-SHCS-M6-20-ST-BO	SCREW	2
51	119-0261	FABRIC MOUNTING ROD-1	1	1-46	F-SPHPZ-M5-16-BO	COMBINATION SCREW	4	2-47	119-0288	HEIGHT ADJUSTMENT SPRING	1
52	F-SPHPZ-M5-8-ST-BO	PANHEAD SCREW M5X8	3	1-47	119-0103	RIVING KNIFE HOLDER	1	2-48	F-W-M10-ST-BZP	WASHER	2
53	119-0260	FABRIC R	1	1-48	F-SPHPZ-M4-8-ST-BO	SCREW	2	2-49	F-ECLIP-8-070-ST-PO	F-ECLIP	1
54	F-SHCS-M10-25-ST-BO	SOCKET HEAD COMBINATION SCREW M5X14	4	1-49	F-SHCS-M5-14-ST-BO	SCREW	4	2-50	119-0289	ANTI PROBE PLATE	1
55	119-0261	FABRIC MOUNTING ROD-2	1	1-50	F-SHCS-M8-ST-BO	SCREW	2	2-51	F-TFPX-M4.2-16-ST-BO	SCREW	1
56	F-TFPX-4-10-ST-BO	PANHEAD TAPPING SCREW ST4X10	2	1-51	119-0248	R&P KNOB	1	2-52	F-B-608-2Z	BEARING	1
57	119-0262	FABRIC L	1	1-52	119-0244	SPUR GEAR	2	2-53	119-0140	REDUCTION GEAR	1
58	119-0263	FRAME FABRIC L	1	1-53	119-0245	SPUR GEAR HOUSING	2	2-54	F-CCEXT-14-080-ST-PO	CIRCLIP	1
59	F-TFPX-4-10-ST-BO	PANHEAD TAPPING SCREW ST4X10	2	1-54	119-0274	SPRING DRIVE ROD	2	2-55	Flat Key 4x4x12	FLAT KEY	1
60	119-0113	SAW BRACKET TRUNION NYLON SLEEVE	2	1-55	F-SSCFP-M5-10-A4	DRIVE PLATE LOCK SCREW	2	2-56	119-0142	UK/EU OUTPUT SHAFT	1
61	119-0104	RIVING KNIFE HOLDER KNOB	1	1-56	119-0246	BRACKET DRIVE PLATE	2	2-57	119-0290	GEAR SPACER	1
62	119-0263	SPRING	1	1-57	F-W-M10-ST-BZP	WASHER	2	2-58	F-B-6002-2RSR	BEARING	1
63	F-W-M8-ST-BO	WASHER Ø6.5XØ12XØ1	1	1-58	F-SDL-25-20-ST-PO	SPRING DOWEL	2	2-59	F-SPHPZ-M5-10-ST-BO	SCREW	2
64	119-0127	OUTFEET SUPPORT LOCK SCREW	2	1-59	F-SDL-30-18-ST-PO	SPRING DOWEL	2	2-60	119-0141	GEARBOX COVER	1
65	119-00264	CABLE RELIEF	1	1-60	119-0247	DRIVE ROD	1	2-61	F-SPHPZ-M4-16-ST-BO	COMBINATION SCREW	3
66-3	119-0167-04	EU 230V POWER CORD	1	1-61	119-0275	SLEEVE DRIVE ROD	1	<b>3</b>		<b>FRAME</b>	
67	119-0265	CAPACITOR EU-UK	1	<b>2</b>		<b>MOTOR CHASSIS</b>		3-1	F-TFPX-M5.5-38-ST-BO	SCREW	4
<b>1</b>	<b>119-1001</b>	<b>Table Assembly</b>	<b>1</b>	2-1	F-TFPX-4.2-13-ST-BO	SCREW	2	3-2	119-0291	BENT WASHER	4
1-1	F-SHCS-M6-10-ST-BO	SCREW	4	2-2	119-0130	MOTOR END CAP	1				
1-2	F-W-M6-ST	FLAT WASHER Ø6.5XØ12XØ2 ELECTROPHRESIS	10	2-3	119-0276	SPRING CARBON BRUSH	2				
1-3	F-SHCS-M6-10-ST-BZP	SCREW	2	2-4	F-TFPX-M4-10-ST-BO	SCREW	4				
1-4	F-W-M6-ST-BZP	WASHER	2	2-5	119-0132	CARBON BRUSH HOLDER	2				
1-5	F-NS-M6-ST-BO	SQUARE NUT M6	7	2-6	119-0131	CARBON BRUSH HIGH VOLT	2				

<b>Service Parts List</b>	<b>220-240V EU</b>
R255TBL / R255TBL+ Table Saw	

No.	Part Code	Description	Qty
3-3	F-FPX-M5.5-32-ST-BO	SCREW	12
3-4	119-0169	FRAME FOOT RIGHT-FRONT	2
3-5	F-5FHPZ-M4.8-16-ST-BO	SCREW	4
3-6	119-0292	JOINT RING	4
3-7	119-0293	RUBBER GASKET	4
3-8	119-0169-1	FRAME FOOT RIGHT-REAR	2
3-9	119-0174	MACHINE FRAME-FRONT	1
3-10	119-0174-1	MACHINE FRAME-REAR	1
3-11	119-0294	TABLE TOP MOUNTING PLATE	4
3-12	F-FPX-4-12-ST-BO	SCREW	8
3-13	119-0295	TABLE TOP RUBBER FEET	4
3-14	119-0169-2	FRAME FOOT L-R	2
3-15	119-0169-3	FRAME FOOT L-F	2
3-16	119-0296	FRAME JOINT	2
3-17	F-SCHPZ-M4.8-38-ST-BO	SCREW	2
3-18	119-0297	HORIZONTAL FRAM A	1
3-20	119-0298	HORIZONTAL FRAM B	1
3-21	119-0299	FRAME JOINT SEAT A	2
3-22	119-0300	FRAME JOINT SEAT A	2
3-23	119-0301	CARRY HANDLE	1
3-24	119-0302	HORIZONTAL FRAM C	1
3-26	F-FPX-5-16-ST-BO	SCREW	5
3-27	119-0303	MITER GAUGE SEAT-R	1
3-28	119-0304	MITER GAUGE SEAT-F	1
3-29	119-0164	FRONT PANEL	1
3-31	119-0168	SUPPORT PLATE FRONT	1
3-32	F-SCHPZ-M4.2-8-ST-BO	SCREW	6
3-33	119-0179	BEVEL CAM, ADJUSTMENT	2
3-34	F-SHCS-M6-14-ST-BO	SCREW	2
3-35	119-0180	BEVEL GEAR RACK	1
3-36	119-0171	BLADE GUARD BRACKET	1
3-37	F-FPX-M5-16-ST-BO	SCREW	7
3-38	119-0175	SIDE PANEL - RIGHT	1
3-39	119-0172	SPANNER	2
3-40	F-FPX-M4.8-45-ST-BO	SCREW	1
<b>4</b>	<b>199-1004</b>	<b>BLADE GUARD</b>	<b>1</b>
4-4	119-0207	FLANGE BOLT F-HFB-M5-18-10-ST-BZP	1
4-5	119-0208	FLAT HEAD M6 BARREL NUT	1
4-6	119-0305	LOCK KNOB SPRING	1
4-7	119-0306	LOCK KNOB UK/EU	1
4-8	F-DP-5-16-ST-BZP	DOWEL	1
4-9	F-B-6??-2RSR	BEARING	1
4-10	F-NNIT-M6-ST-BZP	NUT	1
<b>5</b>	<b>119-1005</b>	<b>THROAT PLATE</b>	<b>1</b>
<b>6</b>	<b>119-1006</b>	<b>MITRE GAUGE</b>	<b>1</b>
<b>7</b>	<b>119-1007</b>	<b>RIP FENCE</b>	<b>1</b>
8-1	F-NNIT-M6-ST-BO	NUT	1
8-2	F-W-M17-ST-BO	WASHER	2
8-3	119-0152	RIVING KNIFE BRACKET	1
8-4	119-0151	RIVING KNIFE UK/EU	1
8-5	119-0154	RIVING KNIFE CLAMP PLATE	1
8-6	119-0148	RIVING KNIFE LOCK OFF HANDLE	1
8-7	119-0149	CLAMP PLATE SPRING	1
8-8	F-HSS-M6-25-ST-BO	SCREW	1
<b>9</b>	<b>119-1010</b>	<b>OUTFEED SUPPORT</b>	<b>1</b>
10-1	119-0126	OUTFEED EXTENSION ROD	2
10-2	119-0125	OUTFEED EXTENSION ROD SEAT A	6
10-3	119-0128	OUTFEED EXTENSION ROD SUPPORT	2
10-4	119-0129	OUTFEED EXTENSION TABLE	1
<b>11 &amp; 12</b>		<b>DUST HOSE ACCESSORIES</b>	
11.1	119-0318	HF ELBOW DUST PORT	1
12.1	057-0174	DUST PIPE (SAME AS RAGE55)	1
12.2	119-0316	HF TWIN PORT ADAPTOR	1
12.3	119-0317	EPT UPPER GUARD ADAPTOR	1

## Service Parts List

R255TBL / R255TBL+ Table Saw

**220-240V**  
EU