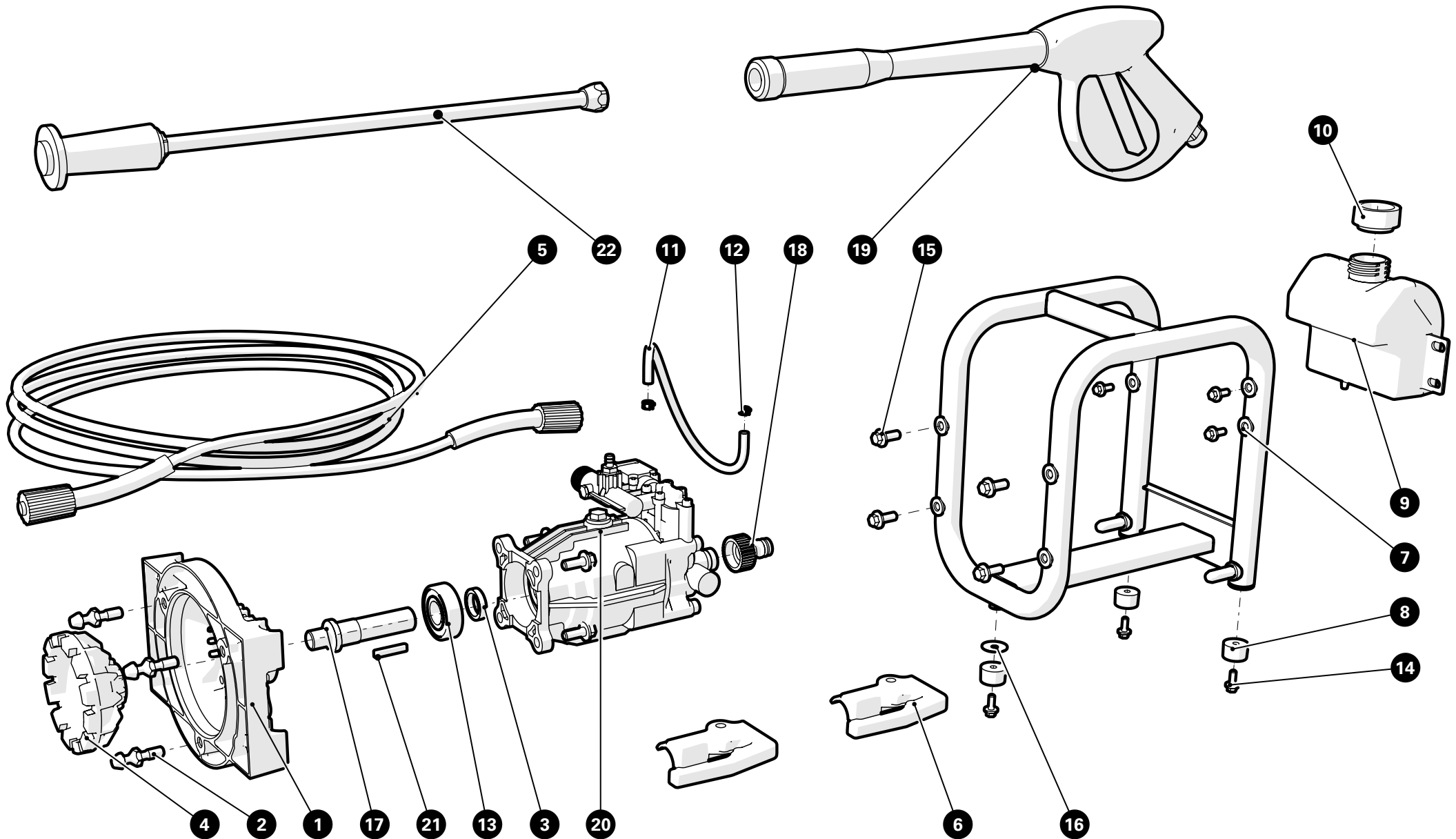




PRESSURE WASHER (PW3200)
WITH EVO-SYSTEM® TECHNOLOGY
DIAGRAM PART NUMBER: 014-0109

Registered Design. Patent Pending 1101605.2.





**PRESSURE WASHER (PW3200)
WITH EVO-SYSTEM® TECHNOLOGY
DIAGRAM PART NUMBER: 014-0109**

Registered Design. Patent Pending 1101605.2.

No.	Part No.	Description	Quantity	List Price
1	014-1160	Adapter	1	£19.35
2	014-1066	Pin	3	£2.34
3	014-1119	Sleeve	1	£1.08
4	014-1129	Accessory Hub	1	£3.51
5	014-1132	High Pressure Hose 6m	1	£27.99
6	014-1153	Lance Holder	2	£0.90
7	014-1161	Frame	1	£20.70
8	014-1165	Rubber Feet	3	£1.23
9	014-1170	Detergent Tank	1	£6.75
10	014-1171	Cap	1	£2.70
11	014-1172	Detergent Hose	1	£2.25

No.	Part No.	Description	Quantity	List Price
12	014-1173	Hose Clip	2	£0.59
13	F-B-6204-2RSR	Bearing 6204-2RSR	1	£2.70
14	F-HFS-M6-15-ST-BZP	M6 x 15 Hex Flanged Screw	7	£0.36
15	F-HFS-M8-20-ST-BZP	M8 x 20 Hex Flanged Screw	8	£0.36
16	F-RW-M6-X-ST-BZP	M6 Repair Washer	1	£0.36
17	014-1052	Shaft	1	£5.85
18	014-1055-1	Quick release adapter	1	£1.53
19	014-1133	Lance	1	£23.40
20	014-1055	High Pressure Pump	1	£99.98
21	014-1225	Woodruff key	1	£0.63
22	014-1133-01	Lance end pipe assy	1	£12.60