



Jez Armstrong

Lincoln

@Trongupcycling

Evolution Rating: ★★★★★

Difficulty: **Intermediate**

Duration: **1 Day**

Upcycling Skateboard Shelf

Everyone needs a shelf made from a skateboard in their man cave. Jez Armstrong shows us how to do it.



Materials & Tools

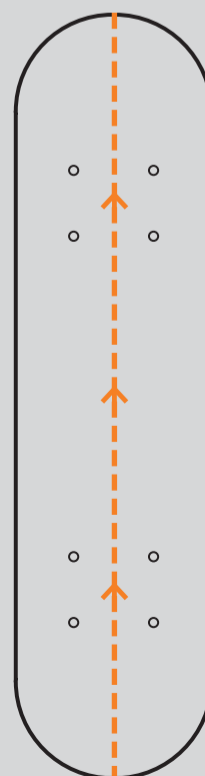
- Evolution Mini Belt Sander
- Evolution File Sander
- Evolution RAGE7-S Jigsaw
- Drill
- Paint / Varnish
- Hacksaw
- Vice
- Screws

Step 1

Remove trucks and wheels from the deck.

Mark centres between length ways holes and mark a line using flexible straight edge.

Cut along the centre line using Evolution RAGE7-S Multipurpose Jigsaw.

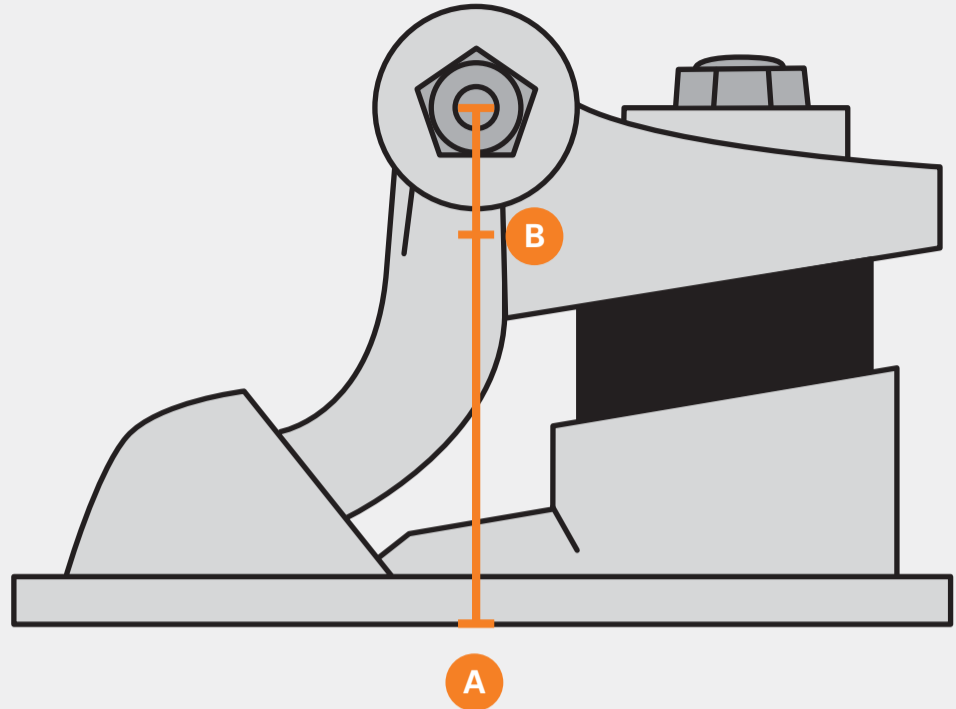




Step 2

Sand deck using Evolution Mini Belt sander (unless leaving original). Then sand the edges using Evolution File Sander. On a flat surface measure the distance between the surface and the centre of the truck shaft. **Distance (A)**. Subtract 10mm from **Distance (A)** giving you **Distance (B)**. See **Diagram 1**.

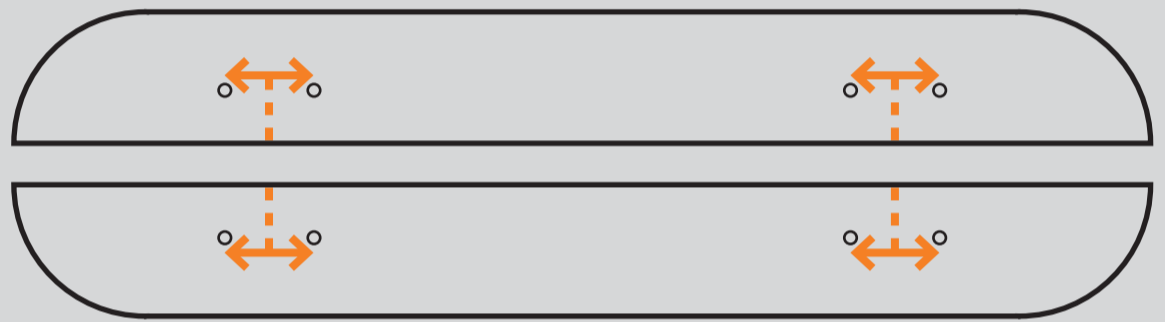
Diagram 1



Step 3

Mark the centre between the truck holes in both halves of the deck as shown in **Diagram 2**.

Diagram 2

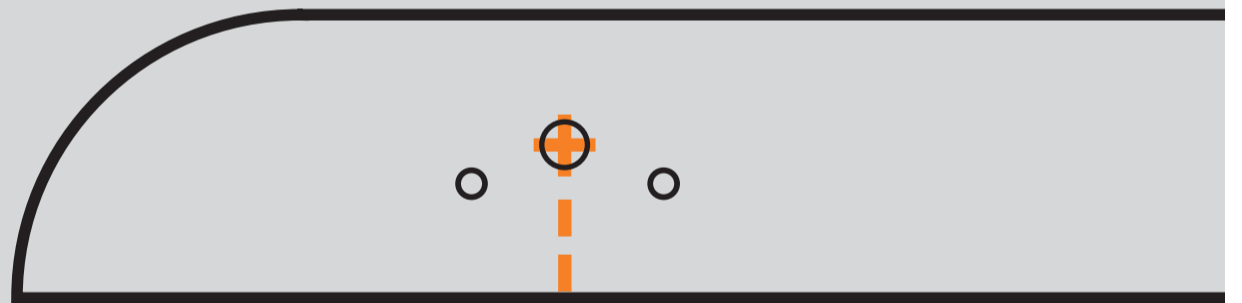


Step 4

Using a square mark the centre line and then cross it with **Distance (B)** as shown in **Diagram 3**.

Drill holes approximately 9mm through all four marks. Now is a good time to varnish or paint the deck if its not being left original.

Diagram 3

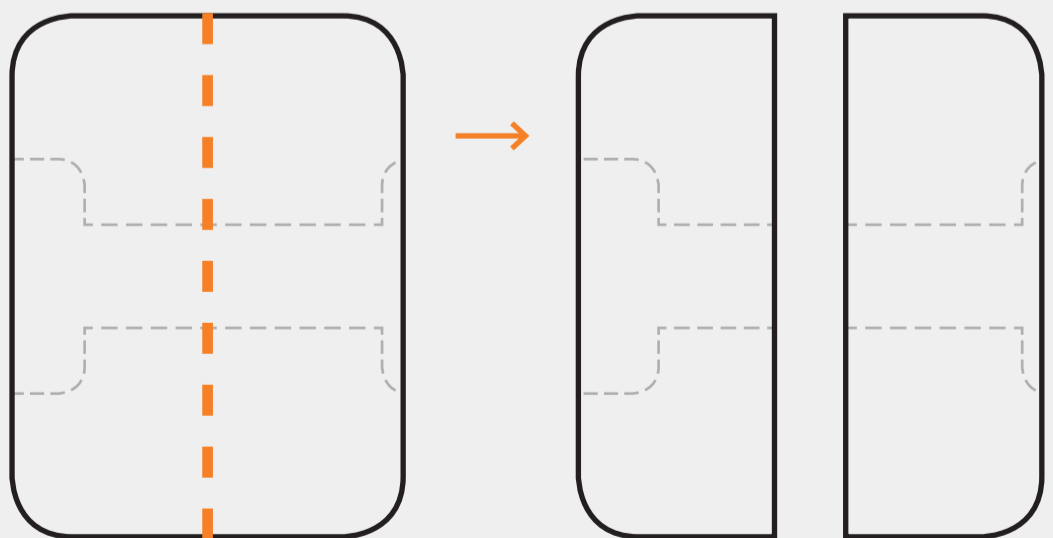


Step 5

Now to cut the wheels, mark a line around the outside of the wheel that corresponds to the centre line of the internal bearing spacers. See **Diagram 4**.

Place the wheel in a vice and cut with a hacksaw, giving you four wheel washers.

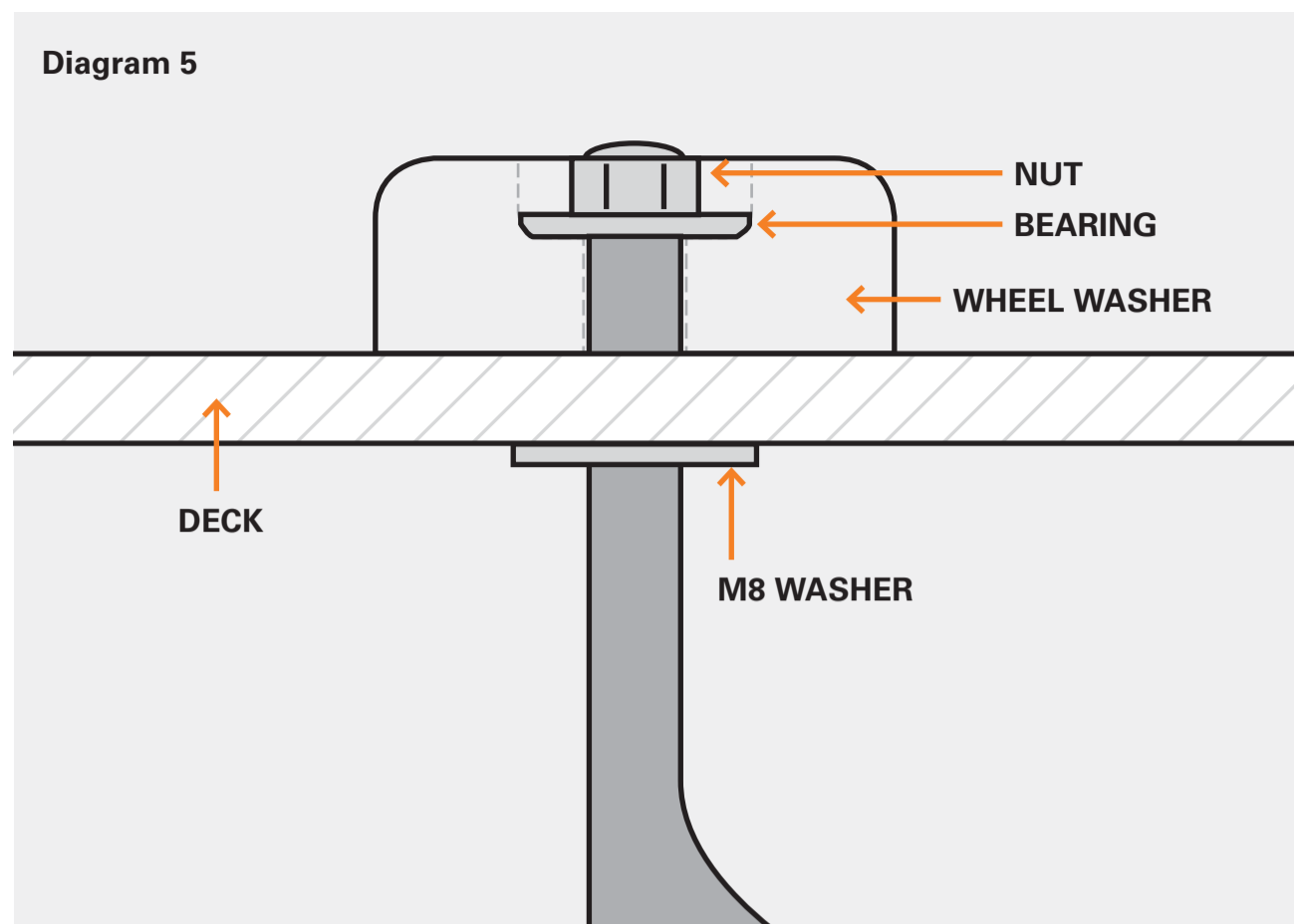
Diagram 4



Step 6

Now to assemble.

Place the M8 washer over the threaded shaft of the truck. Then push the shaft through the deck. Place a wheel wash on next, then insert a bearing. Finally put on the nut and tighten. See **Diagram 5**. Repeat on all four to finish your shelf.



Step 7

Now all you need to do is screw it to the wall using the ready made holes in the trucks.



Featured Evolution Power Tools



RAGE7-S

710W Multipurpose
Corded Jigsaw



FILE SANDER

400W Multipurpose
Precision File Sander



MINI SANDER

280W Multipurpose
Mini Belt Sander

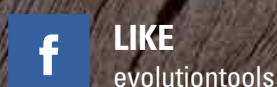
YOUR CUT ABOVE OUT ABOVE AWARDS 2014

PRESENTED BY **EVOLUTION**

Submit Your Latest Project!

Fantastic Prizes For Entrants...

- 1 FREE TCT Multipurpose Blade!**
For every project published.
*Chosen by Evolution's judging panel.
Projects to publish on cutaboveawards.com
- 2 FREE Evolution Power Tool!**
For the project of the month.
*Chosen by Evolution's judging panel.
- 3 £1000 worth of Evolution Tools!**
For the project with the most 'Likes'.
*Chosen by Evolution's judging panel on the
1st December 2014.



LIKE
[evolutiontools](https://www.facebook.com/evolutiontools)



FOLLOW
[@evolution_tools](https://twitter.com/evolution_tools)



PIN
[evolutiontools](https://www.pinterest.com/evolutiontools)



SUBSCRIBE
[evolutionpowertools](https://www.youtube.com/evolutionpowertools)